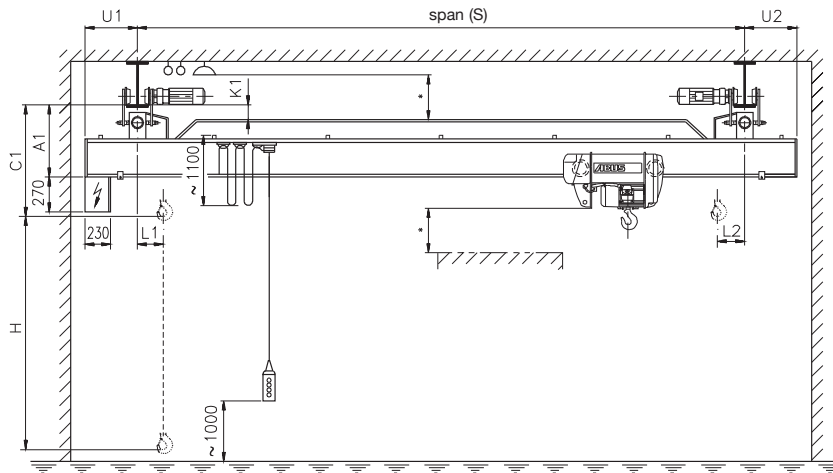
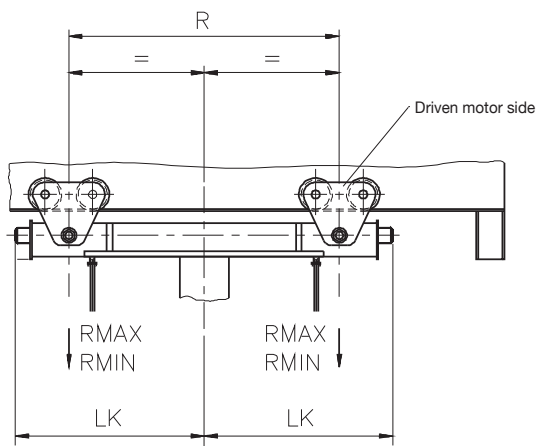


EDL Single Girder Underslung Cranes

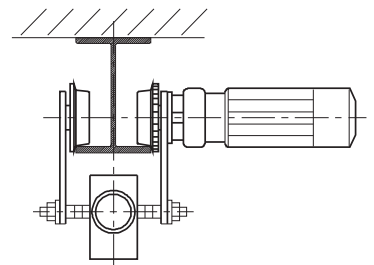
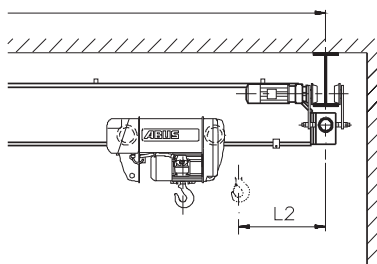


* Safety distance according to national regulations.



Variation 1:

The measurements A1, C1 and K1 are ABUS standard measurements and can be decreased by choosing variation 2, K1 will then increase accordingly, U1/2 has to be cut off and L1 and L2 will increase also.



Variation 2:

bottom of the main girder = bottom of the end carriage

For exact measurements of the Variation 2 please contact ABUS

Dimensions of EDL Single Girder Underslung Cranes¹⁾

Load	S ²⁾	A1	C1	L1	L2	U1/2	H max ²⁾	R	LK	K1	Wheel loads KN	
Hoist type ¹⁾	m	mm	mm	mm	mm	mm	mm	mm	mm	mm	R max	R min
500 kg Chain hoist GM2 500 FEM 2m V Hoist = 1/4 m/min	5	390	880	-20	-250	500	8000	1500	975	170	4.6	1.6
	10	430	910	-20	-250	500	8000	1500	975	170	5.4	2.5
	12	470	950	-20	-250	500	8000	2000	1225	170	6.3	3.5
	15	390	870	-270	-500	750	8000	2500	1475	60	8.3	5.3
1000 kg Chain hoist GM4 1000 FEM 2m V Hoist = 1.3/5 m/min	5	390	910	-10	-250	500	6000	1500	975	170	7.3	1.4
	10	440	950	-10	-250	500	6000	1500	975	170	8.6	3.0
	12	390	910	-10	-250	500	6000	2000	1225	100	9.2	3.7
	15	390	900	-260	-500	750	6000	2500	1475	60	10.9	5.3
1600 kg Rope hoist GM 816 L6 FEM 4m V Hoist = 0.8/5 m/min	5	470	860	390	-40	500	9000	1500	975	170	11.3	2.1
	10	510	900	390	-40	500	9000	1500	975	170	12.7	3.6
	12	510	900	390	-40	500	9000	2000	1225	170	13.2	4.2
	15	550	930	140	-290	750	9000	2500	1475	170	15.0	5.6
2000 kg Rope hoist GM 820 L6 FEM 4m V Hoist = 0.8/5 m/min	5	490	880	390	-40	500	9000	1500	975	170	13.4	2.2
	10	480	860	390	-40	500	9000	1500	975	170	14.8	3.7
	12	530	920	390	-40	500	9000	2000	1225	170	15.5	4.5
	15	470	850	140	-290	750	9000	2500	1475	100	17.3	5.8
	17	550	930	140	-290	750	9000	2500	1535	140	19.4	8.0

Load	S ²⁾	A1	C1	L1	L2	U1/2	H max ²⁾	R	LK	K1	Wheel loads KN	
Hoist type ¹⁾	m	mm	mm	mm	mm	mm	mm	mm	mm	mm	R max	R min
3200 kg Rope hoist GM 832 H6 FEM 2m V Hoist = 0.8/5 m/min	5	460	840	390	-40	500	9000	1500	975	170	19.4	2.3
	10	520	900	390	-40	500	9000	1500	975	170	21.4	4.4
	12	570	950	390	-40	500	9000	2000	1265	160	23.2	6.2
	15	570	950	140	-290	750	9000	2500	1535	110	25.4	7.8
5000 kg Rope hoist GM 1050 H6 FEM 2m V Hoist = 0.8/5 m/min	5	620	1100	480	30	500	9000	2000	1265	250	30.2	4.3
	10	560	1040	480	30	500	9000	2000	1285	140	32.7	6.6
	12	560	1040	480	30	500	9000	2000	1285	140	33.5	7.3
	15	570	1050	230	-220	750	9000	2500	1535	10	35.9	8.8
6300 kg Rope hoist GM 2063 H6 FEM 1Am V Hoist = 0.8/5 m/min	5	580	1060	580	130	500	9000	2000	1265	200	36.7	5.2
	10	570	1050	580	130	500	9000	2000	1285	10	39.6	7.3
	12	570	1050	580	130	500	9000	2000	1285	-40	40.9	8.4
	14	570	1050	580	130	500	9000	2000	1285	-40	41.9	9.3
8000 kg Rope hoist GM 3080 H6 FEM 3m V Hoist = 0.8/5 m/min	5	640	1200	620	180	500	10000	2000	1265	170	45.9	6.4
	8	630	1190	620	180	500	10000	2000	1285	20	47.9	7.2

¹⁾ Safety distance according to national regulations. For exact measurements please contact ABUS

²⁾ Larger span cranes, other hoist specifications are available

Note:
All data refers to cranes fitted with the festoon cable method of cross bridge power supply.



Special building characteristics often require a special crane design. ABUS overhead travelling cranes provide an optimal solution where the building structures make the normal travelling cranes less suitable. The main feature is that the crane track is not fastened to pillars but to the ceiling of the building. Over and above these special requirements the ABUS overhead travelling crane DLVM/EDL offers the advantage of very small trolley approach dimensions and as a result an optimal utilisation of the building width.

The whole production process is aimed at long-term quality. Here the rust is removed from robust main girder profiles of the EDL at the beginning of the production process using mechanical shot blasting.

