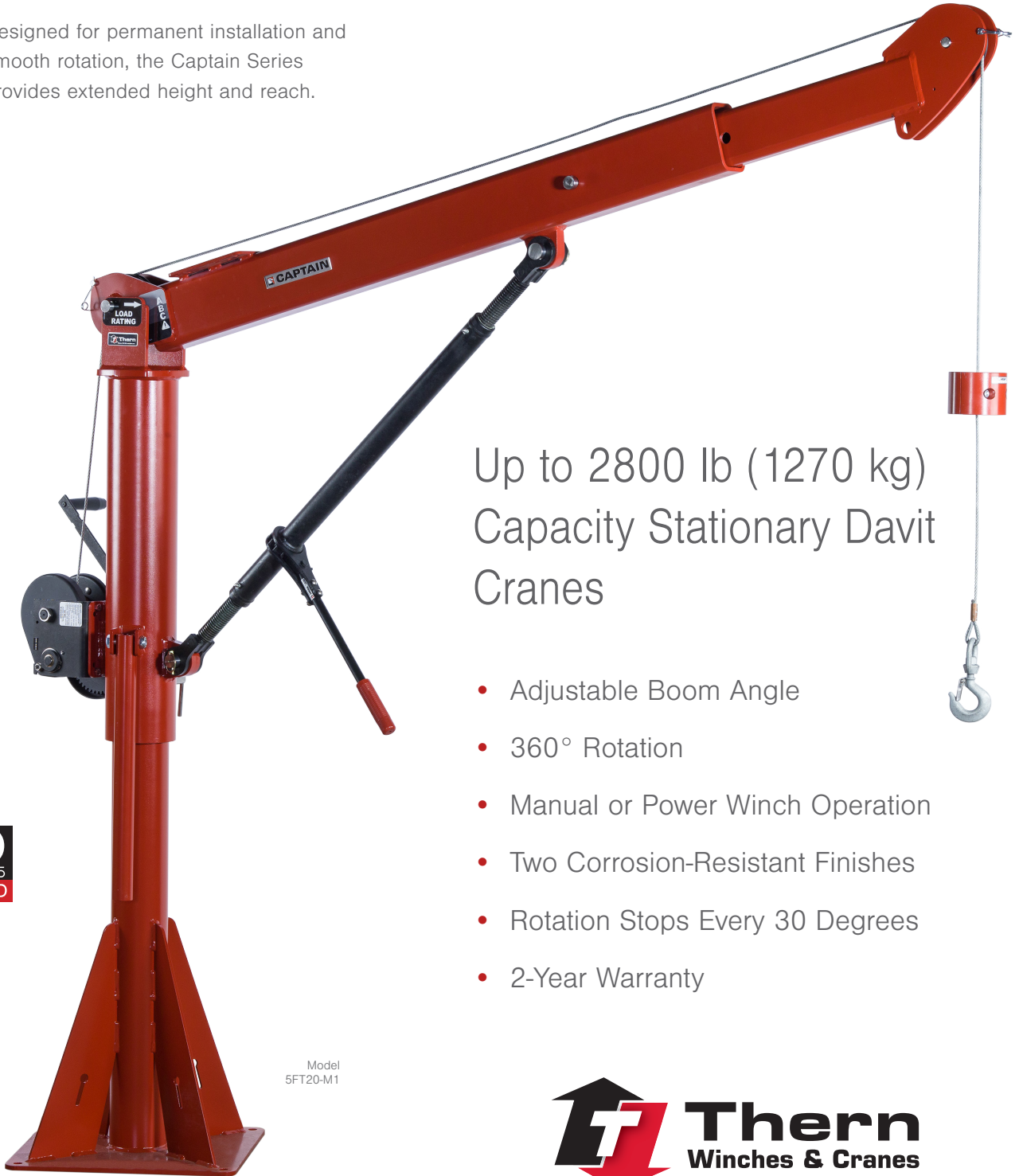


# 5FT20 | 5FT25

## **CAPTAIN** SERIES

Designed for permanent installation and smooth rotation, the Captain Series provides extended height and reach.



### Up to 2800 lb (1270 kg) Capacity Stationary Davit Cranes

- Adjustable Boom Angle
- 360° Rotation
- Manual or Power Winch Operation
- Two Corrosion-Resistant Finishes
- Rotation Stops Every 30 Degrees
- 2-Year Warranty



Model  
5FT20-M1



Winona, MN USA | [www.thern.com](http://www.thern.com)

# CONFIGURATIONS



2000

## 5FT20 SERIES - Davit Crane

Model	Description	Weight	
		LB	KG
<b>Popular Configurations</b>			
5FT20-M1	up to 2000 lb capacity with M4312PB-K spur gear hand winch and black defender coated ratchet jack - red enamel crane	376	171
5FT20-M2	up to 2000 lb capacity with 4WM2V-K worm gear hand winch and black defender coated ratchet jack- red enamel crane	387	176
5FT20X-M2X	up to 2000 lb capacity with 4WM2VEGRA-K worm spur gear hand winch and black defender coated ratchet jack - gray epoxy crane	387	176
5FT20-E2	up to 2000 lb capacity with 4WP2-K electric winch and black defender coated ratchet jack - red enamel crane	423	192
5FT20X-E2X	up to 2000 lb capacity with 4WP2EGRA-K electric winch and black defender coated ratchet jack - gray epoxy crane	423	192
<b>Crane Only</b>			
5FT20	up to 2000 lb capacity - black defender coated ratchet jack - red enamel crane	350	159
5FT20X	up to 2000 lb capacity - black defender coated ratchet jack - gray epoxy crane	350	159
<b>Winch Only</b>			
M1	M4312PB-K – spur gear hand winch only – black defender coating	26	12
M2	4WM2V-K worm gear hand winch only – powder coat finish	37	17
M2X	4WM2VEGRA-K worm gear hand winch only – gray epoxy finish	37	17
M3	M4312PBSS-K - spur gear hand winch only - stainless steel finish	26	12
E2	4WP2-K electric winch – 115/1/60 VAC with 6 ft pendant control – enamel finish	73	33
E2X	4WP2EGRA-K electric winch – 115/1/60 VAC with 6 ft pendant control – gray epoxy finish	73	33
E4	4771-K electric winch – 115/1/60 VAC with 6 ft pendant control – enamel finish	89	41
E4X	4771EGRA-K electric winch – 115/1/60 VAC with 6 ft pendant control – gray epoxy finish	89	41
E4DC	4771DC-K electric winch – 12 volt DC with 10 ft pendant control – enamel finish	107	49
E4DCX	4771DCEGRA-K electric winch – 12 volt DC with 10 ft pendant control – gray epoxy finish	107	49

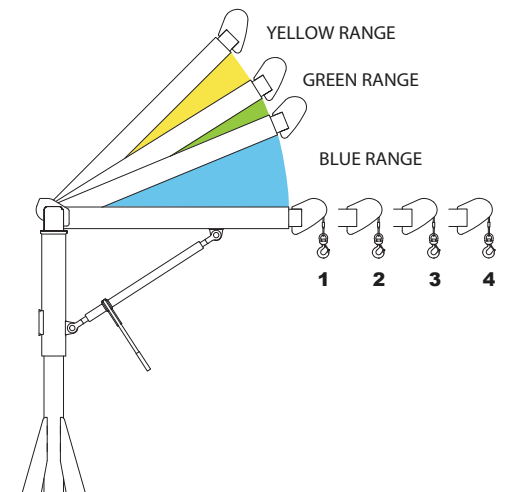
### WIRE ROPE ASSEMBLIES – sold separately

Galvanized or Stainless Steel wire rope assemblies with swivel hook and latch complete with swaged ball fitting to work with the quick disconnect anchor on the winch. 316 Stainless Steel assemblies available - contact factory.

## WIRE ROPE ASSEMBLIES

For additional wire rope assemblies, please contact the factory.

Model	Size	Description
WA25-28NS	1/4 in x 28 ft	galvanized aircraft cable with swivel hook and swaged ball fitting
WA25-36NS	1/4 in x 36 ft	galvanized aircraft cable with swivel hook and swaged ball fitting
WA25-45NS	1/4 in x 45 ft	galvanized aircraft cable with swivel hook and swaged ball fitting
WA25-60NS	1/4 in x 60 ft	galvanized aircraft cable with swivel hook and swaged ball fitting
WA25-75NS	1/4 in x 75 ft	galvanized aircraft cable with swivel hook and swaged ball fitting
WS25-28NS	1/4 in x 28 ft	304 stainless steel wire rope with SS swivel hook and swaged ball fitting
WS25-36NS	1/4 in x 36 ft	304 stainless steel wire rope with SS swivel hook and swaged ball fitting
WS25-45NS	1/4 in x 45 ft	304 stainless steel wire rope with SS swivel hook and swaged ball fitting
WS25-60NS	1/4 in x 60 ft	304 stainless steel wire rope with SS swivel hook and swaged ball fitting
WS25-75NS	1/4 in x 75 ft	304 stainless steel wire rope with SS swivel hook and swaged ball fitting



These products are not for lifting people, or things over people.

### IMPORTANT

It is the owner or operator's responsibility to determine the suitability of the equipment to its intended use. Study all applicable codes, manuals and regulations. Be sure to read the Owner's Manual supplied with the equipment before operating it.

# PERFORMANCE



# CAPTAIN

## 2000

### Captain 2000 Lift Below Floor<sup>2</sup> Level

Lift Below <sup>1</sup> Floor		Wire Rope Diameters		Wire Rope Length <sup>3</sup>		Winch Configurations				
Minimum (D4)		Maximum (D1)				M1	M2	M3	E2	E4
(ft)	(m)	(ft)	(m)	(in)	(mm)	(ft)	(m)			
1	0.3	6	1.8	1/4	6	28	8	x	x	x
9	2.7	14	4.2	1/4	6	36	10	x	x	x
18	5.4	23	7.0	1/4	6	45	13	x	x	x
33	10.0	38	11.5	1/4	6	60	18	x	x	x
48	14.6	53	16.1	1/4	6	75	22	-	x	x
63	19.2	68	20.7	1/4	6	90	27	-	-	x
93	28.3	98	29.8	1/4	6	120	36	-	-	x

<sup>1</sup> Lift below floor level varies depending on boom position and base configuration. For long lifts, please contact factory.

<sup>2</sup> Performance Characteristics are for standard products Non-standard products may vary from the original design.

Contact Thern, Inc. for this information.

<sup>3</sup> Wire rope assemblies include a hook and a swaged ball fitting to work with quick disconnect anchor on winches and 316SS wire rope is also available. Please contact the factory.

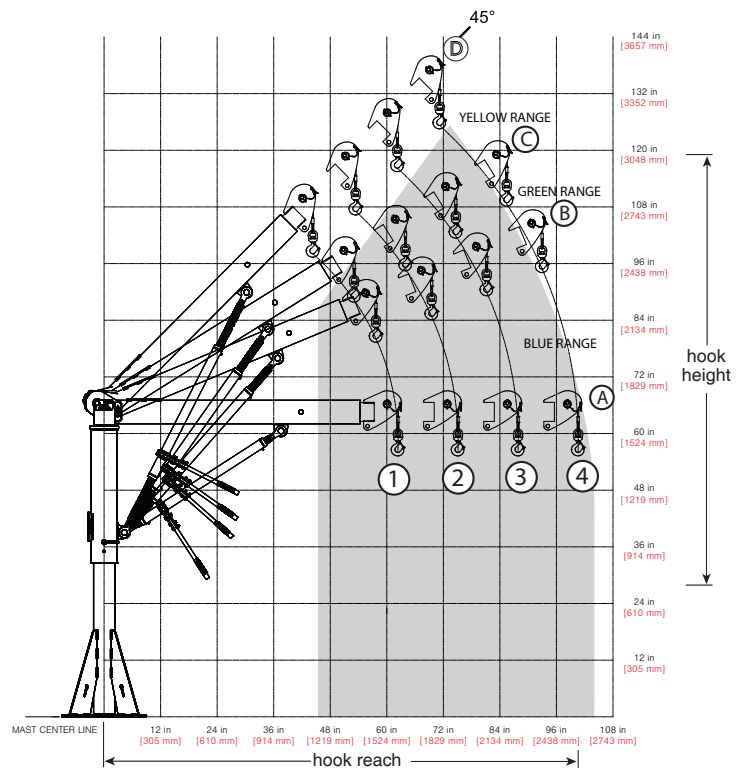
### Captain 2000 Reach & Height Above Floor

Boom Position	Hook Reach		Hook Height	
	(in)	(mm)	(in)	(mm)
A-1	62	1574	56	1422
A-2	75	1905	56	1422
A-3	87	2210	56	1422
A-4	100	2540	56	1422
B-1	57	1447	80	2032
B-2	69	1752	85	2159
B-3	81	2057	90	2286
B-4	93	2362	94	2387
C-1	53	1346	88	2235
C-2	64	1625	95	2413
C-3	74	1879	102	2590
C-4	85	2159	108	2743
D-1	45	1143	98	2489
D-2	54	1371	107	2717
D-3	63	1600	116	2946
D-4	72	1828	125	3175

Dimensions are for reference only and subject to change without notice.

### Captain 2000 Performance Ratings<sup>2</sup>

Boom Position	1st Layer Load Rating		Mid-Drum Load Rating		Full Drum Load Rating	
	(lb)	(kg)	(lb)	(kg)	(lb)	(kg)
1	1700	700	1500	680	1200	540
2	1400	635	1400	635	1200	540
3	1200	540	1200	540	1200	540
4	1000	450	1000	450	1000	450
1	1800	815	1500	680	1200	540
2	1500	680	1500	680	1200	540
3	1350	610	1350	610	1200	540
4	1100	500	1100	500	1100	500
1	2000	905	1500	680	1200	540
2	1650	750	1500	680	1200	540
3	1500	680	1500	680	1200	540
4	1200	540	1200	540	1200	540



These products are not for lifting people, or things over people.

#### IMPORTANT

It is the owner or operator's responsibility to determine the suitability of the equipment to its intended use. Study all applicable codes, manuals and regulations. Be sure to read the Owner's Manual supplied with the equipment before operating it.

# CONFIGURATIONS

## 5FT25 SERIES - Davit Crane

Model	Description	Weight	
		lb	kg

### Popular Configurations

5FT25-M1	up to 2800 lb capacity with M452B-K spur gear hand winch and black defender coated ratchet jack - red enamel crane	640	291
5FT25X-M1X	up to 2800 lb capacity with M452BEGRA-K spur gear hand winch and black defender coated ratchet jack - gray epoxy crane	640	291
5FT25-M2	up to 2800 lb capacity with 2W40V-BM-K worm gear hand winch and black defender coated ratchet jack - red enamel crane	682	310
5FT25X-M2X	up to 2800 lb capacity with 2W40V-BMX-K worm gear hand winch and black defender coated ratchet jack - gray epoxy crane	682	310
5FT25-E2	up to 2800 lb capacity with 3WG4B-K electric winch and black defender coated ratchet jack - red enamel crane	755	343
5FT25X-E2X	up to 2800 lb capacity with 3WG4BEGRA-K electric winch and black defender coated ratchet jack - gray epoxy crane	755	343

### 5FT25 Crane Only

5FT25	up to 2800 lb capacity - black defender coated ratchet jack - red enamel crane	562	255
5FT25X	up to 2800 lb capacity - black defender coated ratchet jack - gray epoxy crane	562	255

### Winch Only

M1	M452B-K – spur gear hand winch only – red enamel finish	78	36
M1X	M452BEGRA-K – spur gear hand winch only – gray epoxy finish	78	36
M2	2W40V-BM-K worm gear hand winch only – powder coat finish	120	55
M2X	2W40V-BMX-K worm gear hand winch only – gray epoxy finish	120	55
E2	3WG4B-K electric winch – 115/1/60 VAC with 6 ft pendant control – enamel finish	193	88
E2X	3WG4BEGRA-K electric winch – 115/1/60 VAC with 6 ft pendant control – gray epoxy finish	193	88

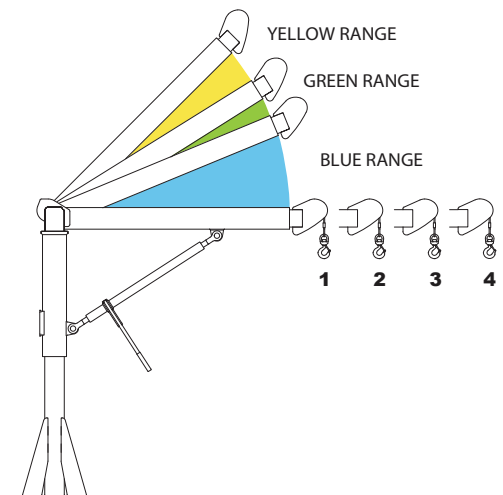
## WIRE ROPE ASSEMBLIES – sold separately

Galvanized or Stainless Steel wire rope assemblies with swaged ball fitting to work with the quick disconnect anchor on the winch with swivel hook with latch. 316 Stainless Steel assemblies available - contact factory.

## WIRE ROPE ASSEMBLIES

For additional wire rope assemblies, please contact the factory.

Model	Size	Description
WA31-28DS	5/16 in x 28 ft	galvanized aircraft cable with swivel hook and unfinished end
WA31-36DS	5/16 in x 36 ft	galvanized aircraft cable with swivel hook and unfinished end
WA31-45DS	5/16 in x 45 ft	galvanized aircraft cable with swivel hook and unfinished end
WA31-60DS	5/16 in x 60 ft	galvanized aircraft cable with swivel hook and unfinished end
WA31-75DS	5/16 in x 75 ft	galvanized aircraft cable with swivel hook and unfinished end
WS31-28DS	5/16 in x 28 ft	304 stainless steel wire rope with SS swivel hook and unfinished end
WS31-36DS	5/16 in x 36 ft	304 stainless steel wire rope with SS swivel hook and unfinished end
WS31-45DS	5/16 in x 45 ft	304 stainless steel wire rope with SS swivel hook and unfinished end
WS31-60DS	5/16 in x 60 ft	304 stainless steel wire rope with SS swivel hook and unfinished end
WS31-75DS	5/16 in x 75 ft	304 stainless steel wire rope with SS swivel hook and unfinished end



These products are not for lifting people, or things over people.

### IMPORTANT

It is the owner or operator's responsibility to determine the suitability of the equipment to its intended use. Study all applicable codes, manuals and regulations. Be sure to read the Owner's Manual supplied with the equipment before operating it.

# PERFORMANCE



# CAPTAIN

2500

## Captain 2500 Lift Below Floor<sup>2</sup> Level

Lift Below <sup>1</sup> Floor		Wire Rope Diameter		Wire Rope Length				Winch Configurations		
Minimum (D4)		Maximum (D1)						M1	M2	E2
(ft)	(m)	(ft)	(m)	(in)	(mm)	(ft)	(m)			
1	0.3	6	1.8	5/16	8	28	8	x	x	x
9	2.7	14	4.2	5/16	8	36	10	x	x	x
18	5.4	23	7.0	5/16	8	45	13	x	x	x
33	10.0	38	11.5	5/16	8	60	18	x	x	x
48	14.6	53	16.1	5/16	8	75	22	x	x	x
63	19.2	68	20.7	5/16	8	90	27	x	x	x
93	28.3	98	29.8	5/16	8	120	36	-	x	x
123	37.4	128	39.0	5/16	8	150	45	-	-	x

<sup>1</sup> Lift below floor level varies depending on boom position and base configuration. For long lifts, please contact factory.

<sup>2</sup> Performance Characteristics are for standard products referred to in this manual.

Non-standard products may vary from the original design. Contact Tern, Inc. for this information.

<sup>3</sup> Wire rope assemblies include a hook and a swaged ball fitting to work with quick disconnect anchor on winches and 316SS wire rope is also available. Please contact the factory.

## Captain 2500 Reach & Height Above Floor

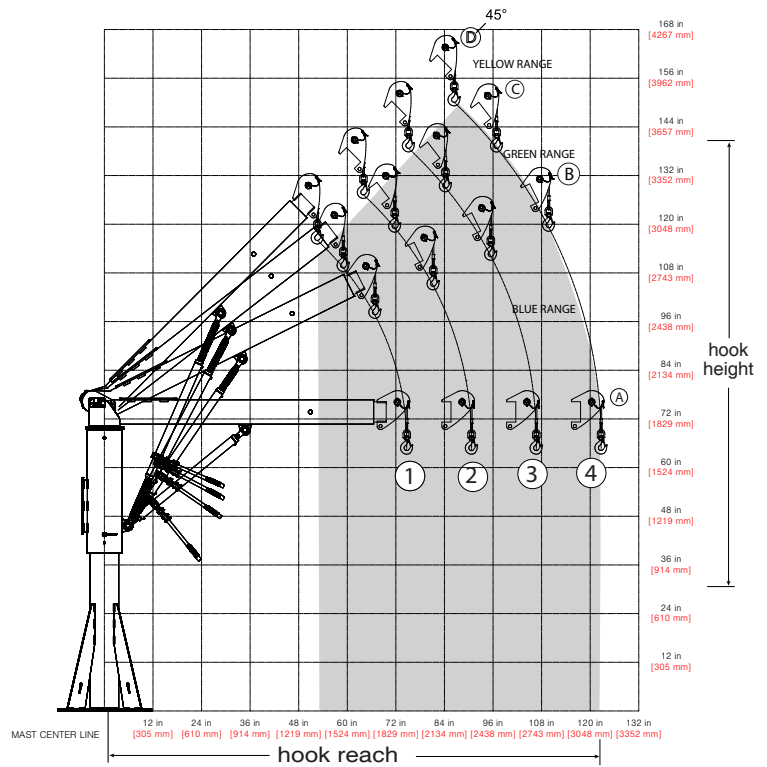
Boom Position	Hook Reach		Hook Height	
	(in)	(mm)	(in)	(mm)
A-1	74	1879	64	1625
A-2	90	2286	64	1625
A-3	106	2692	64	1625
A-4	122	3098	64	1625
B-1	67	1701	98	2489
B-2	81	2057	105	2667
B-3	95	2413	112	2844
B-4	110	2794	119	3022
C-1	59	1498	109	2768
C-2	71	1803	119	3022
C-3	84	2133	129	3276
C-4	97	2463	138	3505
D-1	53	1346	116	2946
D-2	64	1625	127	3225
D-3	75	1905	139	3530
D-4	87	2209	150	3810

Dimensions are for reference only and subject to change without notice.

## Captain 2500 Performance Ratings<sup>2</sup>

Boom Position	1st Layer Load Rating		Mid-Drum Load Rating		Full Drum Load Rating	
	(lb)	(kg)	(lb)	(kg)	(lb)	(kg)
	1	2500	1130	2500	1130	2500
2	2000	905	2000	905	2000	905
3	1700	770	1700	770	1700	770
4	1500	680	1500	680	1500	680
1	2800	1270	2800	1270	2500	1130
2	2300	1040	2300	1040	2300	1040
3	2000	905	2000	905	2000	905
4	1700	770	1700	770	1700	770
1	2800	1270	2800	1270	2500	1130
2	2600	1180	2600	1180	2500	1130
3	2200	1000	2200	1000	2200	1000
4	1900	860	1900	860	1900	860

YELLOW RANGE GREEN RANGE BLUE RANGE



These products are not for lifting people, or things over people.

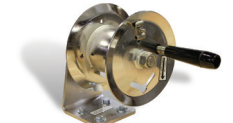
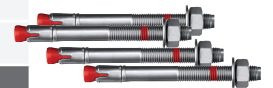
### IMPORTANT

It is the owner or operator's responsibility to determine the suitability of the equipment to its intended use. Study all applicable codes, manuals and regulations. Be sure to read the Owner's Manual supplied with the equipment before operating it.

# ACCESSORIES

## Accessories for Captain Series

Item	Part Number	Description
Drill-Drive Kit	ED330-DW11	120 VAC, 11 amp, 330rpm drill-motor to power drive the hand winch. Only available for cranes configured with the M2 winch option. Includes 1-1/8" hex drive socket.
	ED300-DW06	Cordless drill kit, 60 V Brushless Motor, 300rpm drill-motor to power drive the M2 hand winch option. Includes 1-1/8" hex drive socket.
	ED400-DW09	Heavy Duty Cordless drill kit, 60 V Brushless Motor, 400rpm drill-motor to power drive the M2 hand winch option. Includes 1-1/8" hex drive socket.
Headache Ball	HB10-25-38	Red Painted 10lb fits 1/4" to 3/8" Rope
	HB10S-25-38	Stainless Steel 10lb fits 1/4" to 3/8" Rope
Limit Switch Kit	5FT20LS-EL	Limit Switch Kit for the 5FT20
	5FT25LS-EL	Limit Switch Kit for the 5FT25
<b>5FT20 SERIES ONLY</b>		
Base Anchor Kit	AN62A-6	(4) Hilti® Zinc Plated Steel fasteners 5/8" X 6.00" STL
	AN62A-6S	(4) Hilti® 304 Stainless Steel fasteners 5/8" X 6.00" SST304
	AN62A-6S316	(4) Hilti® 316 Stainless Steel fasteners 5/8" X 6.00" SST316
Cable Spooler	RW50	316 stainless steel reel winds up wire rope when detached from crane.
Wire Rope Keeper	RK19-25S	304 Stainless steel bracket attaches to base or other structure to hold free end of the wire rope when detached from the crane.
	RK19-25S316	316 Stainless steel bracket attaches to base or other structure to hold free end of the wire rope when detached from the crane.



These products are not for lifting people, or things over people.

### IMPORTANT

It is the owner or operator's responsibility to determine the suitability of the equipment to its intended use. Study all applicable codes, manuals and regulations. Be sure to read the Owner's Manual supplied with the equipment before operating it.

# OPTIONS AND CUSTOMIZATION

## Options

Thern offers a variety of additional options you can choose to enhance your davit crane.

- **FACTORY LOAD TEST**  
Upon request, Thern can test your crane prior to shipping, up to 125% of rated load.
- **EXTENDED WARRANTY**  
Extend our standard 2-year warranty.
- **PE STAMP - PROFESSIONAL ENGINEER STAMP**  
Available upon request at time of order.
- **CE MARK**  
Available upon request at time of order, CE mark for products sold into the European Union.
- **POWER WINCH OPERATION**  
AC electric in any voltage. DC electric, hydraulic and pneumatic power winches available.
- **CUSTOM ELECTRIC CONTROLS**  
Thern can build the high quality controls you need to operate your equipment.
- **DRILL-DRIVEABLE WINCH**  
A worm gear hand winch is also available for operation with a 400 rpm max drill motor option.



## Customization

Customization is available for almost all Thern products and should always be performed by our engineers to assure the changes meet our stringent quality standards. Below are some of our more common customization requests. Only factory modifications are covered under warranty.

- **LONGER LIFT DISTANCES**  
Customized winch and crane configurations to accommodate longer lifts.
- **CUSTOM COLORS & FINISHES**  
Custom colors and finishes are available to match your unique application
- **EXTENDED BOOM AND MASTS**  
Thern can extend mast heights and boom lengths to fit your needs
- **RELOCATE THE WINCH**  
The winch can be relocated to fit confined spaces or height restrictions
- **SPECIAL BASES**  
Custom bases or mounting requirements can be manufactured to meet your unique situation

These products are not for lifting people, or things over people.

### IMPORTANT

It is the owner or operator's responsibility to determine the suitability of the equipment to its intended use. Study all applicable codes, manuals and regulations. Be sure to read the Owner's Manual supplied with the equipment before operating it.





## Quality Winches, Cranes and Hoists Since 1948



**MADE IN USA** 

### Thern, Incorporated

World Headquarters  
5712 Industrial Park Road Winona, MN USA  
Toll Free: 1-800-843-7648  
Phone: 1-507-454-2996  
[www.thern.com](http://www.thern.com)

### Thern Europe

Bedrijvenpark Twente 454e  
7602 KM Almelo The Netherlands  
Phone: +31-546-898-380  
[europa@thern.com](mailto:europa@thern.com)

