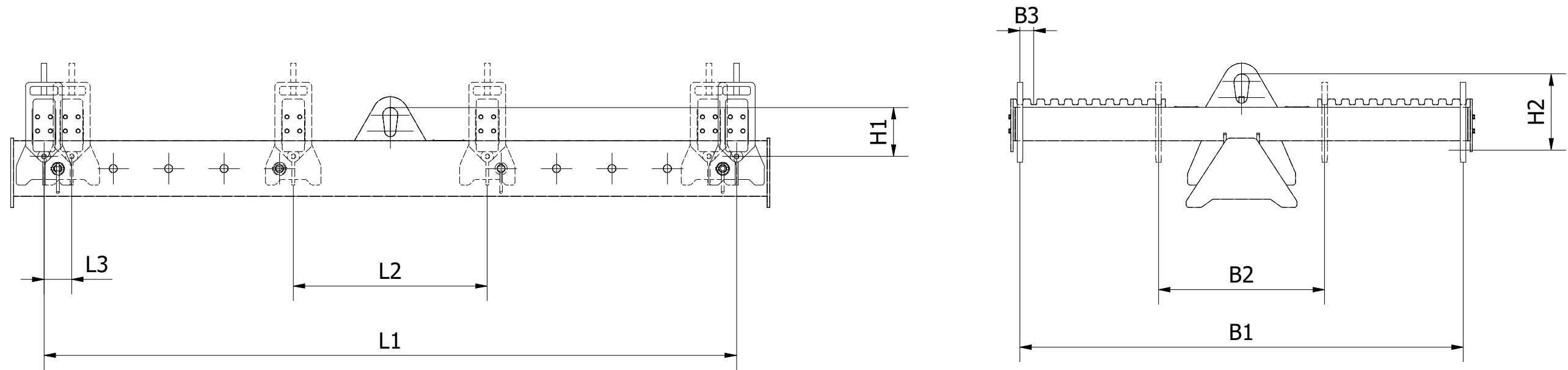



TABLE											
Varenummer	Beskrivelse	WLL kg	L1 mm	L2 mm	L3 mm	B1 mm	B2 mm	B3 mm	H1 mm	H2 mm	Vægt kg
793-526-2013	H12 (M-1T/3)	1000	3000	750	125	2000	1000	50	163	264	175
793-526-2032	H12 (M-3T/2,5)	3000	2500	700	100	1600	600	50	176	275	210



 FYNS KRAN UDSTYR A/S www.fyns-kran.dk CVR 28 10 95 39		Customer: Fyns Kran Udstyr A/S	
H-Løfteåg type H12 Dimensioner		Designed by:sch	Date: 24-01-2022
Material:		Drawing number: 067-035-000-000	Edition date: Edition: 1
Weight: 209,846 kg		General tolerance: DS/ISO 2768-1 m	Scale: 0,06 : 1
This drawing as well as related 3D files are sole property of Fyns Kran Udstyr A/S and it is not allowed to copy or pass on to any person whomsoever unless written agreement has been made			