



Features & benefits ↓

- Compact, flat version, efficient in case of limited insertion space
- Usable in all positions
- Standard provided with fixing holes for easy assembly
- Protected against ejection of the plunger
- Dirt scraper ring
 - Protects against pollution
 - Increases the life span
- Splined plunger, no saddle needed

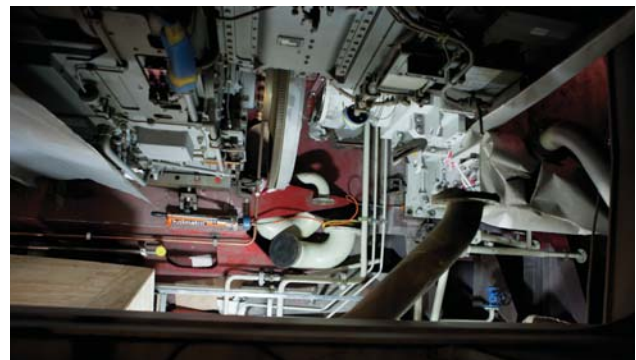
Standard supplied with ↓

- High Flow female coupler A 118

Available on request ↓

- Cylinders manufactured in conformity with customer specifications

Hydraulic pumps	page	143
Hydraulic hoses	page	168
Pressure gauges	page	174



Standard provided with fixing holes for easy assembly



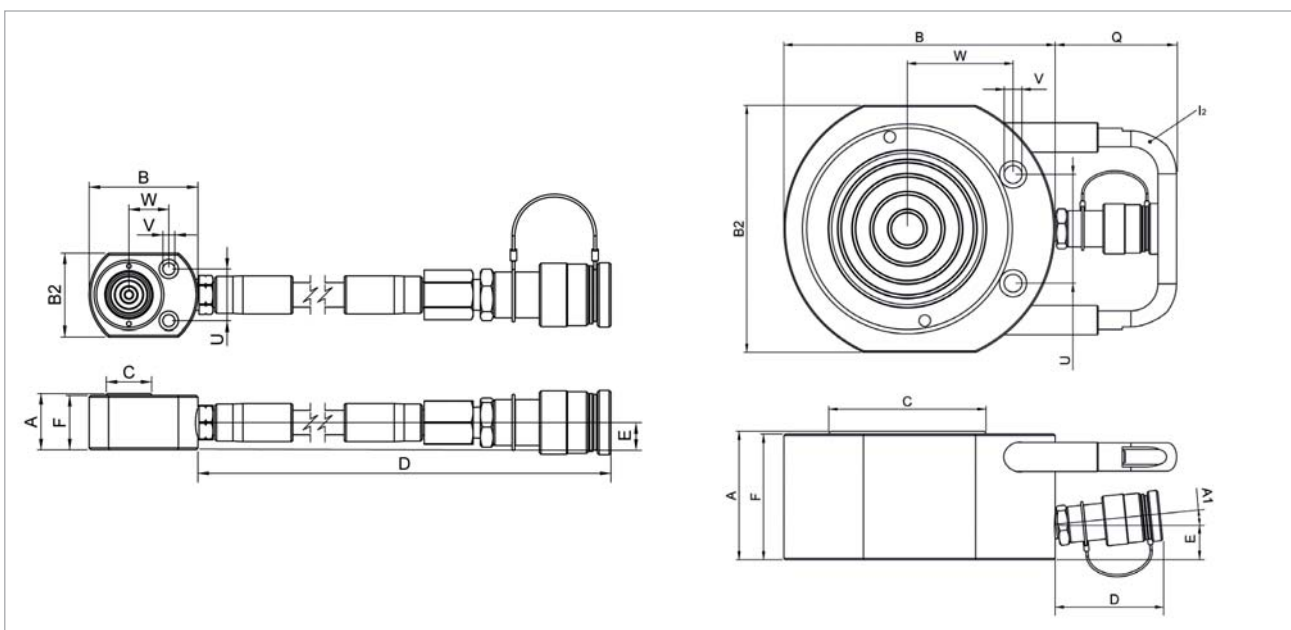
Splined plunger, no saddle needed

Flat cylinders - Spring return


model		HFC 5 S 0.5	HFC 5 S 1.5	HFC 10 S 1.5	HFC 20 S 1.5	HFC 30 S 0.5	HFC 30 S 1.5
art no		100.112.290	100.112.291	100.112.292	100.112.293	100.112.294	100.112.295
max. working pressure	bar/Mpa	720 / 72	720 / 72	720 / 72	720 / 72	720 / 72	720 / 72
tonnage	t	5	5	10	20	30	30
stroke	mm	5	15	15	15	5	15
closed height	mm	31	44	46	55	50	60
capacity	kN/t	50.9 / 5.2	50.9 / 5.2	99.8 / 10.2	203.6 / 20.8	318.1 / 32.4	318.1 / 32.4
effective pressure area	cm ²	7.1	7.1	13.9	28.3	44.2	44.2
required oil content (effective)	cc	4	11	28.8	42.4	22	66.3
connection		A 118	A 118	A 118	A 118	A 118	A 118
hose		yes					
cylinder type		flat	flat	flat	flat	flat	flat
acting type		single	single	single	single	single	single
return type		spring	spring	spring	spring	spring	spring
material		steel	steel	steel	steel	steel	steel
weight, ready for use	kg	1.2	1.0	1.6	2.9	3.6	4.2

Flat cylinders - Spring return (dimensions)


model		HFC 5 S 0.5	HFC 5 S 1.5	HFC 10 S 1.5	HFC 20 S 1.5	HFC 30 S 0.5	HFC 30 S 1.5
dimension A	mm	31	44	46	55	50	60
dimension B	mm	60	60	85	100	116	116
dimension B2	mm	46	46	55	80	95	95
dimension C	mm	25	25	36	55	62	62
dimension D	mm	362	77	76	77	77	77
dimension E	mm	15	15	19	19	19	19
dimension F	mm	30	43	46	54	48	58
dimension U	mm	29	29	37	49	52	52
dimension V	mm	7	7	7	9	11	11
dimension W	mm	55	22	34	39	44	44
angle A1	°		5		5	5	5



Flat cylinders - Spring return


model		HFC 50 S 1.5	HFC 75 S 1.5	HFC 100 S 1.5	HFC 150 S 1.5
art no		100.112.296	100.112.297	100.112.298	100.112.299
max. working pressure	bar/Mpa	720 / 72	720 / 72	720 / 72	720 / 72
tonnage	t	50	75	100	150
stroke	mm	15	15	15	15
closed height	mm	71	80	90	100
capacity	kN/t	510.4 / 52	747.9 / 76.3	1030.5 / 105.1	1447.6 / 147.6
effective pressure area	cm ²	70.9	103.9	143.1	201.1
required oil content (effective)	cc	106	156	215	302
connection		A 118	A 118	A 118	A 118
cylinder type		flat	flat	flat	flat
acting type		single	single	single	single
return type		spring	spring	spring	spring
material		steel	steel	steel	steel
weight, ready for use	kg	7.0	11.0	18.1	25.7

Flat cylinders - Spring return (dimensions)


model		HFC 50 S 1.5	HFC 75 S 1.5	HFC 100 S 1.5	HFC 150 S 1.5
dimension A	mm	71	80	90	100
dimension B	mm	140	165	190	215
dimension B2	mm	119	144	173	200
dimension C	mm	75	80	110	125
dimension D	mm	77	76	76	76
dimension E	mm	19	19	19	24
dimension F	mm	68	77	86	96
dimension Q	mm			85	71
dimension U	mm	67	76	76	117
dimension V	mm	13	13	13	13
dimension W	mm	53	66	74	82
angle A1	°	5			
l type				l ₂	l ₂

