



Features & benefits ↓

- Excellent control over your load; extremely accurate regulation of oil flow under high pressure
- Safe; stable construction
- Ergonomic
 - Regulator valves with comfortable rotary knobs
 - Pressure gauges that are easy to read
 - Installation on vari pump is possible for comfortable working position
 - Carry-handle positioned above centre of gravity

Available on request ↓

- Can be mounted on the protection frame of the Vari pumps

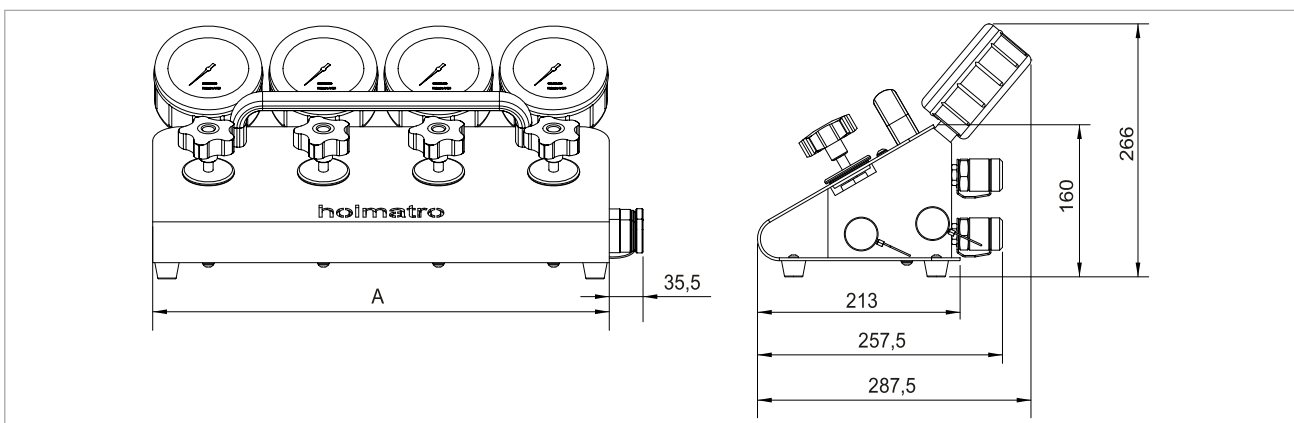
Hydraulic hoses	page	168
Couplers	page	172
Pressure gauges	page	174

Valve blocks 'FlowPanel' - Single-acting ↓

model	HMS 2 A	HMS 2 B	HMS 2 C	HMS 4 A	HMS 4 B	HMS 4 C
art no	100.172.048	100.172.049	100.172.050	100.172.045	100.172.046	100.172.047
number of outlet ports	2	2	2	4	4	4
couplers		yes	yes		yes	yes
pressure gauge			yes			yes
weight, ready for use	kg 6.2	7.1	9.0	12.5	13.9	17.8

Valve blocks 'FlowPanel' - Single-acting (dimensions) ↓

model	HMS 2 A	HMS 2 B	HMS 2 C	HMS 4 A	HMS 4 B	HMS 4 C
dimension A	mm 238	238	238	480	480	480





Features & benefits ↓

- Excellent control over your load; extremely accurate regulation of oil flow under high pressure
- Safe; stable construction
- Ergonomic
 - Regulator valves with comfortable rotary knobs
 - Pressure gauges that are easy to read
 - Installation on vari pump is possible for comfortable working position
 - Carry-handle positioned above centre of gravity

Available on request ↓

- Can be mounted on the protection frame of the Vari pumps

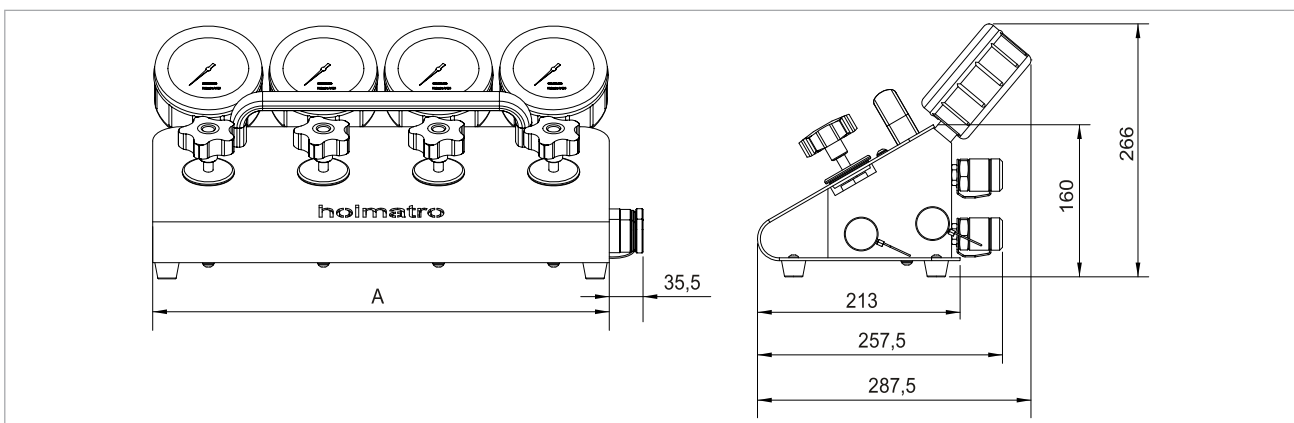
Hydraulic hoses	page	168
Couplers	page	172
Pressure gauges	page	174

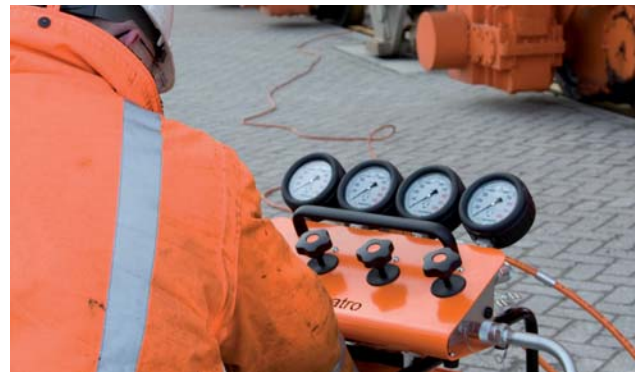
Valve blocks 'FlowPanel' - Single-acting ↓

model	HMS 6 A	HMS 6 B	HMS 6 C
art no	100.172.052	100.172.053	100.172.054
number of outlet ports	6	6	6
couplers		yes	yes
pressure gauge			yes
weight, ready for use	kg 18.5	20.5	26.6

Valve blocks 'FlowPanel' - Single-acting (dimensions) ↓

model	HMS 6 A	HMS 6 B	HMS 6 C
dimension A	mm 722	722	722





Features & benefits ↓

- Excellent control over your load; extremely accurate regulation of oil flow under high pressure
- Safe; stable construction
- Ergonomic
 - Regulator valves with comfortable rotary knobs
 - Pressure gauges that are easy to read
 - Installation on vari pump is possible for comfortable working position
 - Carry-handle positioned above centre of gravity

Available on request ↓

- Can be mounted on the protection frame of the Vari pumps

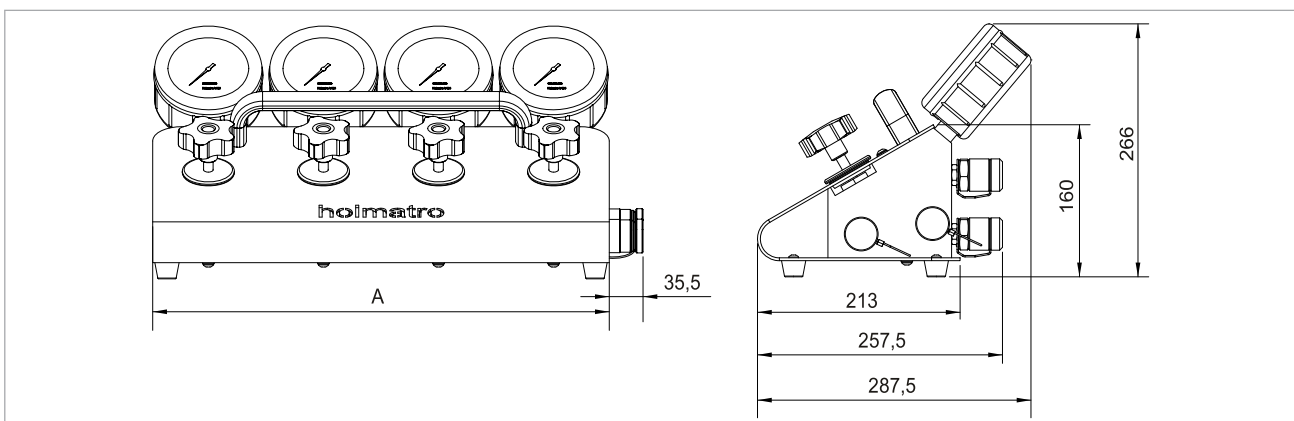
Hydraulic hoses	page	168
Couplers	page	172
Pressure gauges	page	174

Valve blocks 'FlowPanel' - Double-acting ↓

model	HMD 2 A	HMD 2 B	HMD 2 C	HMD 4 A	HMD 4 B	HMD 4 C
art no	100.172.042	100.172.043	100.172.044	100.172.039	100.172.040	100.172.041
number of outlet ports	2	2	2	4	4	4
couplers		yes	yes		yes	yes
pressure gauge			yes			yes
weight, ready for use	kg 7.2	8.1	10.0	14.2	15.6	19.7

Valve blocks 'FlowPanel' - Double-acting (dimensions) ↓

model	HMD 2 A	HMD 2 B	HMD 2 C	HMD 4 A	HMD 4 B	HMD 4 C
dimension A	mm 238	238	238	480	480	480





Features & benefits ↓

- Excellent control over your load; extremely accurate regulation of oil flow under high pressure
- Safe; stable construction
- Ergonomic
 - Regulator valves with comfortable rotary knobs
 - Pressure gauges that are easy to read
 - Installation on vari pump is possible for comfortable working position
 - Carry-handle positioned above centre of gravity

Available on request ↓

- Can be mounted on the protection frame of the Vari pumps

Hydraulic hoses	page	168
Couplers	page	172
Pressure gauges	page	174

Valve blocks 'FlowPanel' - Double-acting ↓

model	HMD 6 A	HMD 6 B	HMD 6 C
art no	100.172.055	100.172.056	100.172.057
number of outlet ports	6	6	6
couplers		yes	yes
pressure gauge			yes
weight, ready for use	kg 21.0	23.0	29.1

Valve blocks 'FlowPanel' - Double-acting (dimensions) ↓

model	HMD 6 A	HMD 6 B	HMD 6 C
dimension A	mm 722	722	722

