

5PT5

COMMANDER

500

Like a favorite tool in your toolbox, Thern Commander Series portable davit cranes are ideal for many applications. Their sturdy design makes them both affordable and easy-to-use.



650 lb (300kg) Portable Davit Cranes

- Rugged and Affordable
- Quick-Mount Winch Bracket
- 360° Rotation
- Manual or Power Winch Operation
- Five Corrosion-Resistant Finishes
- Easy, No-Tools Assembly/Disassembly
- Variety of Bases
- 2-Year Warranty

ISO
9001 : 2015
CERTIFIED

CE


Made In USA
Since 1948

Model 5PT5-E2

 **Thern**
Winches & Cranes

Winona, MN USA | www.thern.com

CONFIGURATIONS

5PT5 SERIES - Portable Davit Crane

Model	Description	Weight	
		lb	kg
Popular Configurations			
5PT5-M1	up to 650 lb (300kg) capacity with M4022PB-K spur gear hand winch - powder coat crane	102	46
5PT5G-M1	up to 650 lb (300kg) capacity with M4022PB-K spur gear hand winch - galvanized crane	102	46
5PT5-M2	up to 650 lb (300kg) capacity with 4WM2-K worm gear hand winch - powder coat crane	123	56
5PT5G-M2	up to 650 lb (300kg) capacity with 4WM2-K worm gear hand winch - galvanized crane	123	56
5PT5S-M3	up to 650 lb (300kg) capacity with M4042PBSS-K spur gear hand winch - stainless steel crane	110	50
5PT5-E2	up to 650 lb (300kg) capacity with 4WP2-K electric winch - powder coat crane	158	72
Crane Only			
5PT5	up to 650 lb (300kg) capacity - base model - powder coat finish	86	39
5PT5G	up to 650 lb (300kg) capacity - base model - galvanized finish	86	39
5PT5S	up to 650 lb (300kg) capacity - base model - 304 stainless steel finish	86	39
5PT5S316	up to 650 lb (300kg) capacity - base model - 316 stainless steel finish	86	39
5PT5X	up to 650 lb (300kg) capacity - base model - epoxy gray finish	86	39
Winch Only			
M1	M4022PB-K - spur gear hand winch only	16	8
M2	4WM2-K - worm gear hand winch only - powder coat	37	17
M2X	4WM2EGRA-K - worm gear hand winch only - epoxy gray	37	17
M3	M4042PBSS-K - spur gear hand winch only - stainless steel	24	11
E2	4WP2-K electric winch - 115/1/60 VAC with 6 ft pendant control - enamel	72	33
E2X	4WP2EGRA-K electric winch - 115/1/60 VAC with 6 ft pendant control - epoxy gray	72	33
E4	4777-K electric winch - 115/1/60 VAC with 6 ft pendant control - enamel	96	44
E4X	4777EGRA-K electric winch - 115/1/60 VAC with 6 ft pendant control - epoxy gray	96	44
E4DC	4777DC-K electric winch - 12 volt DC with 10 ft pendant control - enamel	114	52
E4DCX	4777DCEGRA-K electric winch - 12 volt DC with 10 ft pendant control - epoxy gray	114	52

INDEPENDENT BASES – sold separately

Pedestal, Socket (flush mount) or Wall mount style

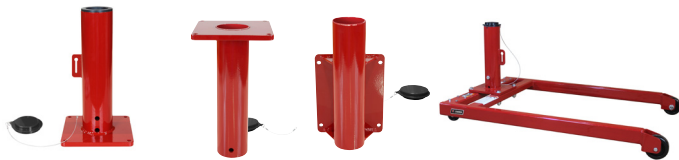
Wheel Base for floor crane operation. Base includes stationary front wheels and rear locking caster wheels for 360° maneuverability. See Model 5BR5.

Important: Base installation is customer's responsibility. Thern recommends consulting a civil engineer or other qualified professional. Contact Thern for installation guidelines.

WIRE ROPE ASSEMBLIES – sold separately

Galvanized or Stainless Steel wire rope assemblies with swivel hook and latch complete with swaged ball fitting to work with the quick disconnect anchor on the winch. 316 Stainless Steel assemblies available - contact factory.

Finishes	MODELS					Wire Rope Length		Galvanized Aircraft Cable		304 Stainless Steel Wire Rope	
	Pedestal	Flush	Wall	Wheel	Extension			3/16" Dia. (4.8 mm)	1/4" Dia. (6.4 mm)	3/16" Dia. (4.8 mm)	1/4" Dia. (6.4 mm)
Powder Coat	5BP5	5BF5	5BW5	5BR5	5BE5-15						
Galvanized	5BP5G	5BF5G	5BW5G	-	5BE5-15G	(ft)	(m)	Model No.	Model No.	Model No.	Model No.
304 Stainless Steel	5BP5S	5BF5S	5BW5S	-	5BE5-15S	20	6.0	WA19-20NS	WA25-20NS	WS19-20NS	WS25-20NS
316 Stainless Steel	5BP5S316	5BF5S316	5BW5S316	-	5BE5-15S316	28	8.5	WA19-28NS	WA25-28NS	WS19-28NS	WS25-28NS
Epoxy	5BP5X	5BF5X	5BW5X	5BR5X	5BE5-15X	36	10.9	WA19-36NS	WA25-36NS	WS19-36NS	WS25-36NS
Approximate Ship Weight	21 lbs (9.5 kg)	21 lbs (9.5 kg)	23 lbs (10.4 kg)	77 lbs (35 kg)	17 lbs (7.7 kg)	45	13.7	WA19-45NS	WA25-45NS	WS19-45NS	WS25-45NS
						60	18.2	WA19-60NS	WA25-60NS	WS19-60NS	WS25-60NS
						75	22.8	WA19-75NS	WA25-75NS	WS19-75NS	WS25-75NS
						90	27.4	WA19-90NS	WA25-90NS	WS19-90NS	WS25-90NS



These products are not for lifting people, or things over people.

IMPORTANT

It is the owner or operator's responsibility to determine the suitability of the equipment to its intended use. Study all applicable codes, manuals and regulations. Be sure to read the Owner's Manual supplied with the equipment before operating it.

PERFORMANCE

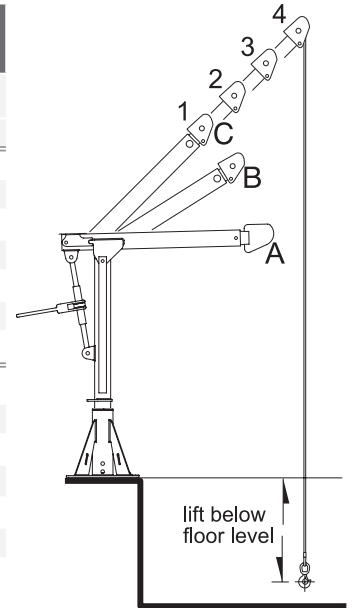
COMMANDER

500



Commander 500 Lift Below Floor² Level

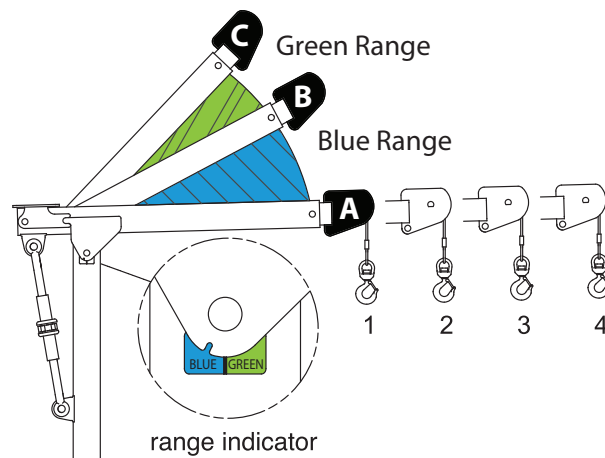
Lift Below ¹ Floor		Wire Rope Diameter		Wire Rope Length ³		Winch Configurations						
Minimum (C4)		Maximum (C1)				M1	M2	M3	E2	E4		
(ft)	(m)	(ft)	(m)	(in)	(mm)	(ft)	(m)					
2	0.6	7	2.1	3/16	5	20	6	x	-	x	-	x
10	3.0	15	4.5	3/16	5	28	8	x	-	x	-	x
18	5.4	23	7.0	3/16	5	36	10	x	-	x	-	x
27	8.2	32	9.7	3/16	5	45	13	x	-	x	-	x
42	12.8	47	14.3	3/16	5	60	18	-	-	x	-	x
57	17.3	62	18.8	3/16	5	75	22	-	-	x	-	x
72	21.9	77	23.4	3/16	5	90	27	-	-	x	-	x
<hr/>												
2	0.6	7	2.1	1/4	6	20	6	-	x	x	x	x
10	3.0	15	4.5	1/4	6	28	8	-	x	x	x	x
18	5.4	23	7.0	1/4	6	36	10	-	x	x	x	x
27	8.2	32	9.7	1/4	6	45	13	-	x	x	x	x
42	12.8	47	14.3	1/4	6	60	18	-	x	x	x	x
57	17.3	62	18.8	1/4	6	75	22	-	x	-	x	x
72	21.9	77	23.4	1/4	6	90	27	-	-	-	-	x



¹ Lift below floor level varies depending on boom position and base configuration. For long lifts please contact factory.
² Performance Characteristics are for standard products referred to in this manual. Non-standard products may vary from the original design. Contact Thern, Inc. for this information.
³ Wire rope assemblies include a hook and a swaged ball fitting to work with quick disconnect anchor on winches and 316SS wire rope is also available. Please contact the factory.

Commander 500 Performance Ratings²

	Boom Position	Load Rating	
		(lb)	(kg)
BLUE RANGE	A-1	550	250
	A-2	425	190
	A-3	350	160
	A-4	300	135
GREEN RANGE	B-1	650	300
	B-2	525	235
	B-3	425	190
	B-4	350	160
GREEN RANGE	C-1	650	300
	C-2	525	235
	C-3	425	190
	C-4	350	160



These products are not for lifting people, or things over people.

IMPORTANT

It is the owner or operator's responsibility to determine the suitability of the equipment to its intended use. Study all applicable codes, manuals and regulations. Be sure to read the Owner's Manual supplied with the equipment before operating it.

PERFORMANCE

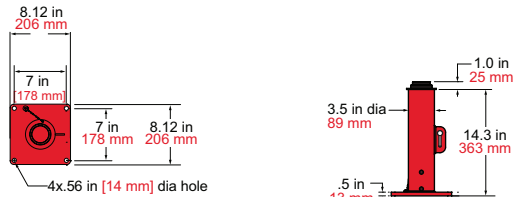


500

Commander 500 with Pedestal Base Reach & Height Above Floor

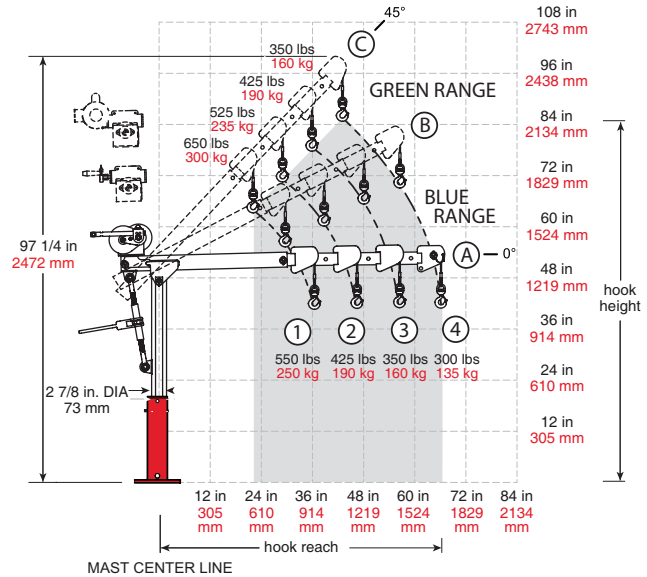
Boom Position	Hook Reach		Hook Height	
	(in)	(mm)	(in)	(mm)
A-1	36	914	42	1066
A-2	46	1168	42	1066
A-3	56	1422	42	1066
A-4	66	1676	42	1066
B-1	30	762	56	1422
B-2	38	965	60	1524
B-3	46	1168	65	1651
B-4	54	1371	69	1752
C-1	23	584	64	1625
C-2	29	736	71	1803
C-3	36	914	77	1955
C-4	42	1066	84	2133

Dimensions are for reference only and subject to change without notice.



Commander 500 Pedestal Base 5BP5

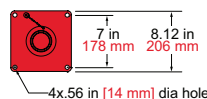
- 5BP5 5BP5S 5BP5X
- 5BP5G 5BP5S316



Commander 500 with Flush or Wall-Mount Base - Reach & Height Above Floor

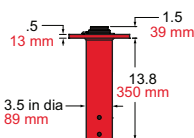
Boom Position	Hook Reach		Hook Height	
	(in)	(mm)	(in)	(mm)
A-1	36	914	28	711
A-2	46	1168	28	711
A-3	56	1422	28	711
A-4	66	1676	28	711
B-1	30	762	42	1066
B-2	38	965	46	1168
B-3	46	1168	51	1295
B-4	54	1371	55	1397
C-1	23	584	50	1270
C-2	29	736	57	1447
C-3	36	914	63	1600
C-4	42	1066	70	1778

Dimensions are for reference only and subject to change without notice.



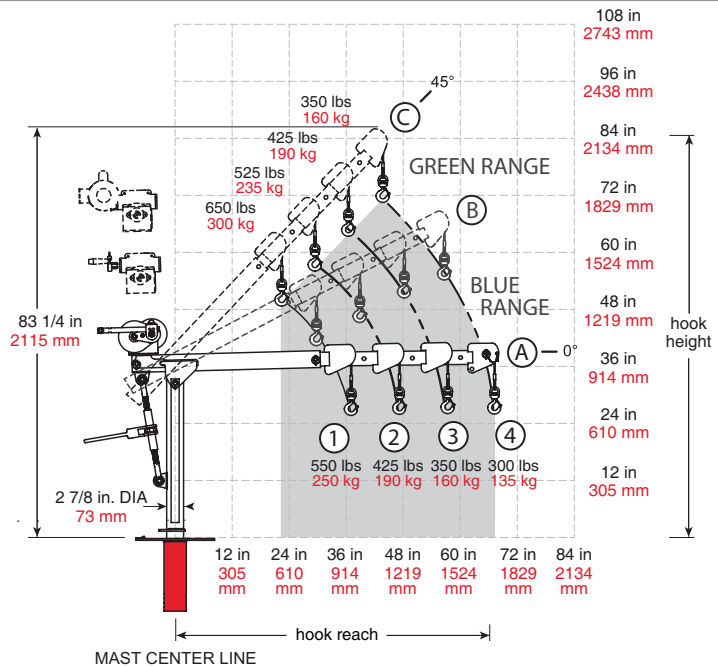
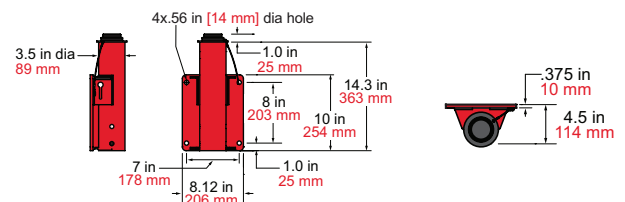
Commander 500 Flush Mount Base

- 5BF5
- 5BF5G
- 5BF5S
- 5BF5S316
- 5BF5X



Commander 500 Wall-Mount Base

- 5BW5
- 5BW5G
- 5BW5S
- 5BW5S316
- 5BW5X



These products are not for lifting people, or things over people.

IMPORTANT

It is the owner or operator's responsibility to determine the suitability of the equipment to its intended use. Study all applicable codes, manuals and regulations. Be sure to read the Owner's Manual supplied with the equipment before operating it.

PERFORMANCE

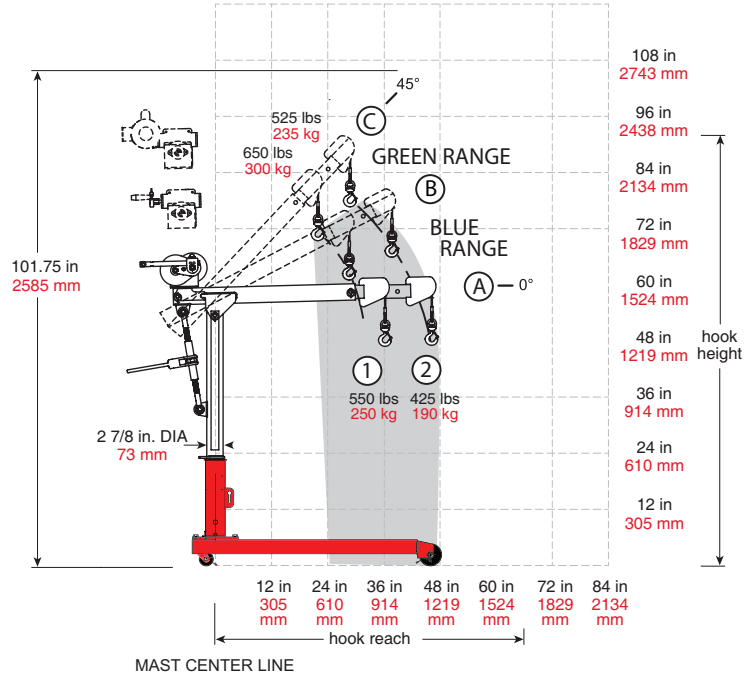
COMMANDER

Commander 500 with Wheel Base

500



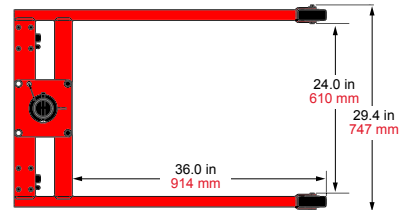
IMPORTANT:
Crane DOES NOT rotate when assembled in 5BR wheel base.



Commander 500 with Wheel Base
Reach & Height Above Floor

Boom Position	Hook Reach		Hook Height	
	(in)	(mm)	(in)	(mm)
A-1	36	914	46	1168
A-2	46	1168	46	1168
B-1	30	762	60	1524
B-2	38	965	64	1625
C-1	23	584	68	1727
C-2	29	736	75	1905

Dimensions are for reference only and subject to change without notice.



Commander 500 Wheel Base Load Ratings

Boom Position 1	SEE LOAD RATING ON CRANE
Boom Position 2	
Boom Position 3	DO NOT USE
Boom Position 4	

Dimensions are for reference only and subject to change without notice.

These products are not for lifting people, or things over people.

IMPORTANT

It is the owner or operator's responsibility to determine the suitability of the equipment to its intended use. Study all applicable codes, manuals and regulations. Be sure to read the Owner's Manual supplied with the equipment before operating it.

ACCESSORIES

Accessories for Commander 500

Item	Part Number	Description
Base Anchor Kit	AN50A-5	4 Hilti® Zinc Plated Steel fasteners 1/2 X 5.50 STL KB-TZ
	AN50A-5S	4 Hilti® 304 Stainless Steel fasteners 1/2 X 5.50 SST304 KB-TZ
	AN50A-5S316	4 Hilti® 316 Stainless Steel fasteners 1/2 X 5.50 SST316 KB-TZ
Rotational Lock	5PT5LCK	5PT5 Series Rotational Lock Holds crane position at 30° increments. 316 Stainless Steel
Drill-Drive Kit	ED330-DW11	120 VAC, 11 amp, 330rpm drill-motor to power drive the hand winch. Only available for cranes configured with the M2 winch option. Includes 1-1/8" hex drive socket.
	ED300-DW06	Cordless drill kit, 60 V Brushless Motor, 300rpm drill-motor to power drive the M2 hand winch option. Includes 1-1/8" hex drive socket.
	ED400-DW09	Heavy Duty Cordless drill kit, 60 V Brushless Motor, 400rpm drill-motor to power drive the M2 hand winch option. Includes 1-1/8" hex drive socket.
Headache Ball	HB10-12-25	Red Painted 10lb fits 1/8" to 1/4" Rope
	HB10S-12-25	Stainless Steel 10lb fits 1/8" to 1/4" Rope
Cable Spooler	RW50	316 stainless steel reel winds up wire rope when detached from crane.
Wire Rope Keeper	RK19-25S	304 Stainless steel bracket attaches to base or other structure to hold free end of the wire rope when detached from the crane.
	RK19-25S316	316 Stainless steel bracket attaches to base or other structure to hold free end of the wire rope when detached from the crane.
Limit Switch	5PT5LS-EL	Limit Switch Kit for the 5PT5



These products are not for lifting people, or things over people.

IMPORTANT

It is the owner or operator's responsibility to determine the suitability of the equipment to its intended use. Study all applicable codes, manuals and regulations. Be sure to read the Owner's Manual supplied with the equipment before operating it.

OPTIONS AND CUSTOMIZATION

Options

Thern offers a variety of additional options you can choose to enhance your davit crane.

- **FACTORY LOAD TEST**
Upon request, Thern can test your crane prior to shipping, up to 125% of rated load.
- **EXTENDED WARRANTY**
Extend our standard 2-year warranty.
- **PE STAMP - PROFESSIONAL ENGINEER STAMP**
Available upon request at time of order.
- **CE MARK**
Available upon request at time of order, CE mark for products sold into the European Union.
- **ATEX CLASSIFICATION**
Contact factory
- **POWER WINCH OPERATION**
AC electric in any voltage. DC electric, hydraulic and pneumatic power winches available.
- **CUSTOM ELECTRIC CONTROLS**
Thern can build the high quality controls you need to operate your equipment.
- **DRILL-DRIVEABLE WINCH**
A worm gear hand winch is also available for operation with a 400 rpm max drill motor option.



Customization

Customization is available for almost all Thern products and should always be performed by our engineers to assure the changes meet our stringent quality standards. Below are some of our more common customization requests. Only factory modifications are covered under warranty.

- **LONGER LIFT DISTANCES**
Customized winch and crane configurations to accommodate longer lifts.
- **CUSTOM COLORS & FINISHES**
Custom colors and finishes are available to match your unique application
- **EXTENDED BOOM AND MASTS**
Thern can extend mast heights and boom lengths to fit your needs
- **RELOCATE THE WINCH**
The winch can be relocated to fit confined spaces or height restrictions
- **SPECIAL BASES**
Custom bases or mounting requirements can be manufactured to meet your unique situation

These products are not for lifting people, or things over people.

IMPORTANT

It is the owner or operator's responsibility to determine the suitability of the equipment to its intended use. Study all applicable codes, manuals and regulations. Be sure to read the Owner's Manual supplied with the equipment before operating it.



Quality Winches, Cranes and Hoists Since 1948



MADE IN USA 

Thern, Incorporated

World Headquarters
5712 Industrial Park Road Winona, MN USA
Toll Free: 1-800-843-7648
Phone: 1-507-454-2996
www.thern.com

Thern Europe

Bedrijvenpark Twente 454e
7602 KM Almelo The Netherlands
Phone: +31-546-898-380
europa@thern.com



Thern
Winches & Cranes