

Electric chain hoist with suspension lug or with integrated trolley model CPV

Capacity 250 - 5000 kg

The electric chain hoist model CPV combines modern design and technical innovation. A robust construction makes the series a versatile tool for professional applications. The integrated limit switch for the highest and lowest hook position considerably extends the working life span of the slip clutch, motor and gearbox.

Features

- Classification 1 Am/M4. For 1-phase hoists: 1 Bm/M3. As required (with appropriate changes to lifting capacity resp. duty cycle) the model CPV can also be re-classified up to 3m/M6.
- Main contactor as standard, for increased safety.
- Increased operating safety through 42V control voltage (low voltage control), push-button pendant control, IP 65.
- 2 year warranty (excluding wear parts) and a lifetime lubricated gearbox.
- Electromagnetic spring pressure brake holds the load safely even in the event of power failure.
- Motor protected to IP 55 (acc. to VDE 0530), against ingress of dust and water jets.
- The easily adjustable slip clutch is designed to guarantee a permanent connection between the load and the brake.
- The standard, oil bath lubricated and case hardened gearbox has a helical gearing for particularly smooth running and enhanced lifetime.
The models CPV/F 2-8 and 5-4, CPV 2-4 and 5-2 as well as CPV/F 25-8 and 50-4 have a sealed gearbox with lifetime lubrication.
- Suspension lug for compact dimensions and easy integration in closed-eye constructions. The hoists are also available with top hook suspension.
- All-steel chain guide. The models CPV/F 2-8 and 5-4 as well as CPV 2-4 and 5-2 have a thermoplastic (POM) chain guide that is integral with the housing.

INFO

Yale hoists and trolleys are not designed for passenger elevation applications and must not be used for this purpose.



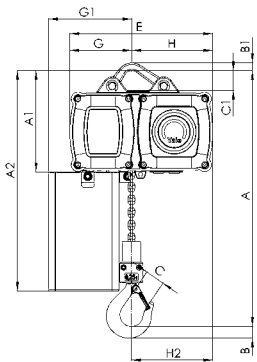
Options

- Stainless steel load chain (no reduction of working load limit)
- Stainless steel load hooks for single fall hoists
- Food industry approved gearbox lubricants
- Suspension hook
- Flexible chain container.
- Other operating voltages
- Counter for operating hours and number of starts
- Radio remote control
- Control for synchronized operation of several hoists
- Manual and electric trolleys
- Festooned cables systems and alternative power supplies
- Suspension for light crane systems

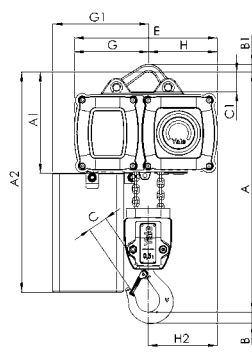
Dimensions model CPV/CPVF

Model	CPV/CPVF 2-8 CPV 2-4	CPV/CPVF 5-4 CPV 5-2	CPVF 2-18 CPV/CPVF 5-8	CPV/CPVF 10-4	CPVF 5-18 CPV/CPVF 10-8 CPV 10-4/1	CPV/CPVF 20-4 CPV 20-2	CPVF 25-8	CPVF 50-4
A, mm	327	363	357	430	431	528	514	658
A1, mm	163	163	196	196	234	234	288	288
A2 (Size I), mm	343	343	476	476	564	564	580	580
A2 (Size II), mm	413	413	526	526	644	644	764	764
A2 (Size III), mm	483	483	606	606	734	734	854	854
A2 (Size IV), mm	553	553	798	798	934	934	-	-
B, mm	23	23	22	29	29	37	37	37
B1, mm	12	12	15	15	20	20	33	33
C, mm	30	30	29	35	35	40	46	46
C1, mm	30	30	38	38	45	45	71	71
C2, mm	105	105	105	105	154	154	194	194
D, mm	16	16	15	21	21	26	35	35
D1, mm	12	12	15	15	15	15	25	25
E, mm	205	205	277	277	326	326	409	409
G, mm	106	126	120	144	140	173	179	179
G1 (Size I), mm	124	124	142	166	175	208	264	264
G1 (Size II), mm	124	124	162	186	175	208	264	264
G1 (Size III), mm	124	124	162	186	175	208	265	265
G1 (Size IV), mm	124	124	162	186	175	208	-	-
H, mm	99	79	157	133	186	154	230	230
H2, mm	92	72	158	158	186	186	230	180
K, mm	215	215	208	208	285	285	335	335
M (Size I), mm	157	157	162	162	209	209	300	300
M (Size II), mm	157	157	197	197	209	209	300	300
M (Size III), mm	157	157	197	197	209	209	301	301
M (Size IV), mm	157	157	197	197	209	209	-	-
N ¹ , mm	159	159	219	219	274	274	299	299

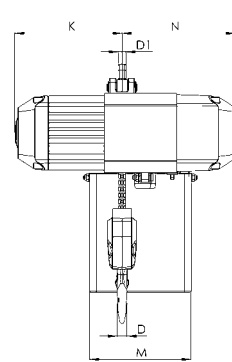
¹ for 230V, 1-phase, 50Hz: approx. +35mm



Model CPV/CPVF
with suspension lug, 250 - 2500 kg, single fall



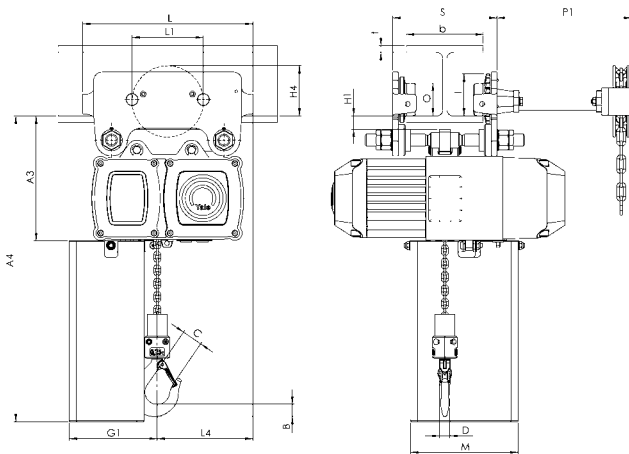
Model CPV/CPVF
with suspension lug, 500 - 5000 kg, double fall



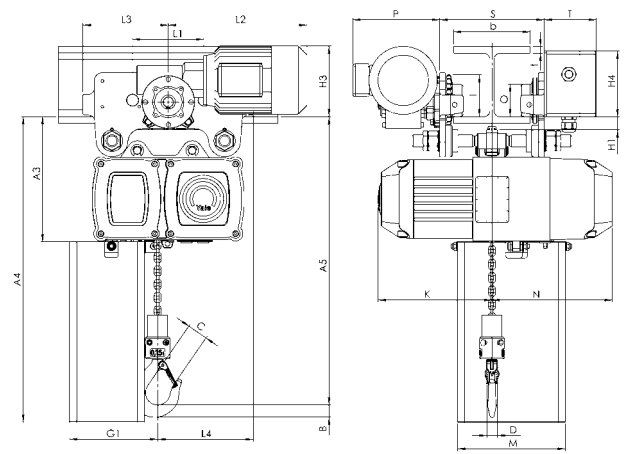
Model CPV/CPVF
with suspension hook,
250 - 2500 kg

Dimensions model CPV/CPVF

Model	CPV/CPVF 2-8 CPV 2-4	CPV/CPVF 5-4 CPV 5-2	CPVF 2-18 CPV/CPVF 5-8	CPV/CPVF 10-4	CPVF 5-18 CPV/CPVF 10-8 CPV 10-4/1	CPV/CPVF 20-4 CPV 20-2	CPVF 25-8	CPVF 50-4
A3, mm	199	199	228	228	263	263	339	339
A4 (Size I), mm	379	379	508	508	593	593	631	631
A4 (Size II), mm	449	449	558	558	673	673	815	815
A4 (Size III), mm	519	519	638	638	768	768	905	905
A4 (Size IV), mm	589	589	830	830	968	968	-	-
A5, mm	365	401	389	462	460	558	566	656
b, mm	A = 58 - 180 B = 180 - 300	A = 58 - 180 B = 180 - 300	A = 58 - 180 B = 180 - 300	A = 58 - 180 B = 180 - 300	A = 58 - 180 B = 180 - 300	A = 58 - 180 B = 180 - 300	A = 98 - 180 B = 180 - 300	A = 98 - 180 B = 180 - 300
H1, mm	25	25	24	24	23	23	30	30
H3, mm	113	113	129	129	129	129	178	178
H4 (VTG), mm	95	95	95	95	95	95	149	149
H4 (VTE), mm	142	142	142	142	142	142	121	121
I (Push trolley), mm	72	72	72	72	96	96	142	142
I (Geared trolley), mm	76	76	77	77	98	98	149	149
L (VTP/VTG), mm	310	310	310	310	360	360	525	525
L1, mm	130	130	130	130	150	150	209	209
L2 (CPV), mm	255	255	255	255	255	255	292	292
L2 (CPVF), mm	222	222	263	263	263	263	296	296
L3, mm	135	135	155	155	180	180	263	263
L4, mm	131	111	173	161	203	203	258	208
O, mm	60	60	60	60	80	80	125	125
P, mm	171	171	180	180	180	180	172	172
P1, mm	236	236	246	246	246	246	233	233
S, mm	b + 50	b + 50	b + 50	b + 50	b + 54	b + 54	b + 70	b + 70
T, mm	94	94	94	94	94	94	94	94
tmax., mm	12	12	19	19	19	19	27	27



Model CPV/CPVF
with integrated manual push or geared trolley



Model CPV/CPVF
with integrated electric trolley

Technical data model CPV/CPVF - 400V, 3-phase, 50 Hz

Model	EAN-No. 4025092* 4053981**	Capacity in kg/ number of chain falls	Chain dimensions d x p mm	Classification FEM/ISO	Lifting speed main lift m/min	Lifting speed fine lift m/min	Hoist motor kW	Motor rating ED %	Weight ¹ suspension lug kg	Weight ¹ push trolley ² kg	Weight ¹ electric trolley ³ kg
CPV 2-8	-	250/1	4x12.2	1Am/M4	8	-	0.37	50	on request	on request	on request
CPVF 2-8	**874067	250/1	4x12.2	1Am/M4	8	2	0.37/0.09	33/17	19	28	33
CPVF 2-18	*925341	250/1	5x15.1	1Am/M4	18	4.5	0.75/0.18	33/17	27	42	50
CPV 5-4	-	500/2	4x12.2	1Am/M4	4	-	0.37	50	on request	on request	on request
CPVF 5-4	**874074	500/2	4x12.2	1Am/M4	4	1	0.37/0.09	33/17	19	28	33
CPV 5-8	*173766	500/1	5x15.1	1Am/M4	8	-	0.75	50	26	41	49
CPVF 5-8	*173803	500/1	5x15.1	1Am/M4	8	2	0.75/0.18	33/17	27	42	50
CPVF 5-18	*303729	500/1	7.1x20.5	1Am/M4	18	4.5	1.5/0.37	33/17	59	78	85
CPV 10-4	*174473	1000/2	5x15.1	1Am/M4	4	-	0.75	50	28	43	51
CPVF 10-4	*174725	1000/2	5x15.1	1Am/M4	4	1	0.75/0.18	33/17	29	44	52
CPV 10-8	*173797	1000/1	7.1x20.5	1Am/M4	8	-	1.5	50	58	77	84
CPVF 10-8	*173780	1000/1	7.1x20.5	1Am/M4	8	2	1.5/0.37	33/17	59	78	85
CPV 20-4	*174480	2000/2	7.1x20.5	1Am/M4	4	-	1.5	50	63	82	89
CPVF 20-4	*174459	2000/2	7.1x20.5	1Am/M4	4	1	1.5/0.37	33/17	64	83	90
CPVF 25-8	**979168	2500/1	11x31	1Am/M4	8	2	3.6/0.9	33/17	85	147	161
CPVF 50-4	**979175	5000/2	11x31	1Am/M4	4	1	3.6/0.9	33/17	on request	on request	on request

Technical data model CPV - 230V, 1-phase, 50 Hz

CPV 2-4	-	250/1	4x12,2	1Bm/M3	4	-	0.37	25
CPV 5-2	-	500/2	4x12,2	1Bm/M3	2	-	0.37	25
CPV 5-8	*248792	500/1	5x15,1	1Bm/M3	8	-	0.75	25
CPV 10-4	*248808	1000/2	5x15,1	1Bm/M3	4	-	0.75	25
CPV 10-4/1	*248815	1000/1	7.1x20.5	1Bm/M3	4	-	1.5	25
CPV 20-2	*248822	2000/2	7.1x20.5	1Bm/M3	2	-	1.5	25

¹ Weight at standard lift (3 m). Other lifting heights on request.

² For trolleys type A and B: Additional weight for geared trolley (VTG): 2.5 kg

³ For electric trolley (VTE) with 2 speeds +2.0 kg



Increased operating safety through 42V control voltage



Easily adjustable slip clutch



Integrated limit switch



Option: radio remote control



Depicted suspension hook and chain container optionally available.

Technical data trolleys

Suitable for model	Capacity kg	Size	Beam flange width b mm	Beam flange thickness t max. mm	Curve radius min. m	Electric trolley travel speed m/min at 50 Hz	Electric trolley motor kW at 50 Hz
CPV/CPVF 2-8 up to CPV/CPVF 5-4	500	A	58 - 180	12	0.9	11 or 18	0.09
CPV/CPVF 2-8 up to CPV/CPVF 5-4	500	B	180 - 300	19	0.9	11 or 18	0.09
CPV 5-8 up to CPVF 10-4	1000	A	58 - 180	19	0.9	18 or 18/4.5	0.18 or 0.18/0.06
CPV 5-8 up to CPVF 10-4	1000	B	180 - 300	19	0.9	18 or 18/4.5	0.18 or 0.18/0.06
CPV 10-8 up to CPVF 20-4	2000	A	58 - 180	19	1.15	18 or 18/4.5	0.18 or 0.18/0.06
CPV 10-8 up to CPVF 20-4	2000	B	180 - 300	19	1.15	18 or 18/4.5	0.18 or 0.18/0.06
CPVF 25-8 up to CPVF 50-4	5000	A	98 - 180	27	2.0	11 or 11/2.8	0.37 or 0.3/0.09
CPVF 25-8 up to CPVF 50-4	5000	B	180 - 300	27	1.8	11 or 11/2.8	0.37 or 0.3/0.09