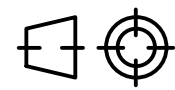
 <b>FYNS KRAN UDSTYR A/S</b>	Designer: jsl	Creation Date: 6/2/2023
	Material:	Sheet No: of 0
	Surface Treatment: Hot-dip galvanizing +100µ	Mass: 248,709 kg
	Rev: 001	
Title: <b>Working Trestle WLL 7500 kg</b> <b>Arbejdsbuk WLL 7500 kg</b>	Sheet Size: <b>A3</b>	Scale: <b>1 : 20</b>
Tolerances according to DS/ISO 2768-1 m If nothing else is specified. No sharp edges.		Part Number: <b>75102</b>
<small>This drawing remains property of FyNS Kran Udstyr A/S and may not be copied or given to any other party for information or use without our written consent.</small>		