



Features & benefits ↓

- 50% lighter cylinders; easy to work with and better for the welfare of your employees
- Duo Power Ring; seal, bearing and resistance to lateral loads to a maximum of 10% for a longer life span
- The plunger is specially coated with a hardened anodised layer that makes it extremely wear and corrosion resistant
- The XL Saddle optimally protects the plunger and guides the load as effectively as possible
- All cylinders meet the stringent quality requirements that Holmatro enforces for its products
- A range of more than 12 models with different tonnages and stroke lengths
- Almost all cylinders have a handle

Standard supplied with ↓

- High Flow female coupler A 118
- Flat saddle

Available on request ↓

- Collar thread
- Base mounting holes
- Steel plate for protection of the cylinder bottom
- Cylinders manufactured in conformity with customer specifications

Additional information ↓

Aluminium versus steel: aluminium cylinders offer an easy to handle alternative to steel. They should last a lifetime of use in average heavy duty lifting applications. However, aluminium cylinders should NOT be used in high cycle applications. Aluminium cylinders obtained from Holmatro are designed to safely withstand up to 5,000 cycles at their maximum working pressure.

Tilting saddles	page	95
Hydraulic pumps	page	143
Hydraulic hoses	page	168
Pressure gauges	page	174

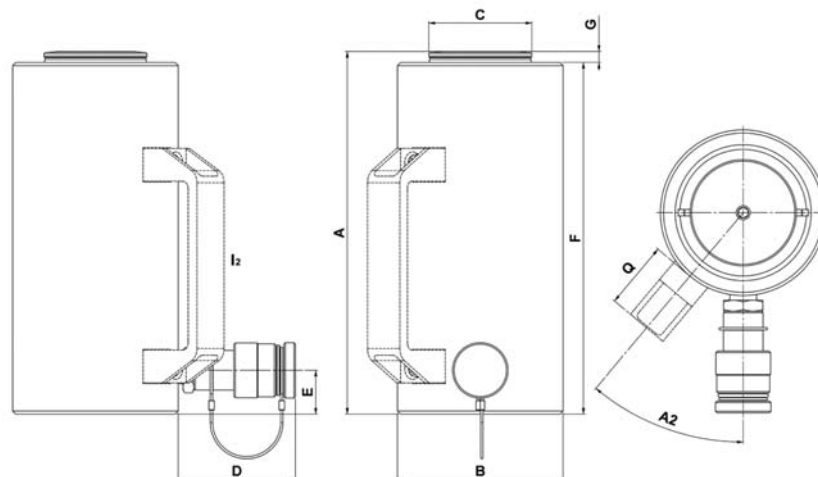


Aluminium cylinders - Spring return


model		HAC 20 S 5	HAC 20 S 10	HAC 20 S 15	HAC 30 S 5	HAC 30 S 10	HAC 30 S 15
art no		100.112.267	100.112.265	100.112.261	100.112.269	100.112.268	100.112.262
max. working pressure	bar/Mpa	720 / 72	720 / 72	720 / 72	720 / 72	720 / 72	720 / 72
tonnage	t	20	20	20	30	30	30
stroke	mm	50	100	150	50	100	150
closed height	mm	164	214	264	182	232	282
capacity	kN/t	204 / 20.8	204 / 20.8	204 / 20.8	318.1 / 32.4	318.1 / 32.4	318.1 / 32.4
effective pressure area	cm ²	28.3	28.3	28.3	44.2	44.2	44.2
required oil content (effective)	cc	141	283	424	221	442	663
connection		A 118	A 118	A 118	A 118	A 118	A 118
cylinder type		standard	standard	standard	standard	standard	standard
acting type		single	single	single	single	single	single
return type		spring	spring	spring	spring	spring	spring
material		aluminium	aluminium	aluminium	aluminium	aluminium	aluminium
weight, ready for use	kg	2.6	3.2	3.9	4.7	5.9	7.0

Aluminium cylinders - Spring return (dimensions)


model		HAC 20 S 5	HAC 20 S 10	HAC 20 S 15	HAC 30 S 5	HAC 30 S 10	HAC 30 S 15
dimension A	mm	164	214	264	182	232	282
dimension B	mm	82	82	82	106	106	106
dimension C	mm	52	52	52	66	66	66
dimension D	mm	76	76	76	76	76	76
dimension E	mm	25	25	25	28	28	28
dimension F	mm	157	207	257	175	225	275
dimension G	mm	7	7	7	7	7	7
dimension Q	mm					43	43
angle A2	°					40	40
l type						l ₂	l ₂



Aluminium cylinders - Spring return

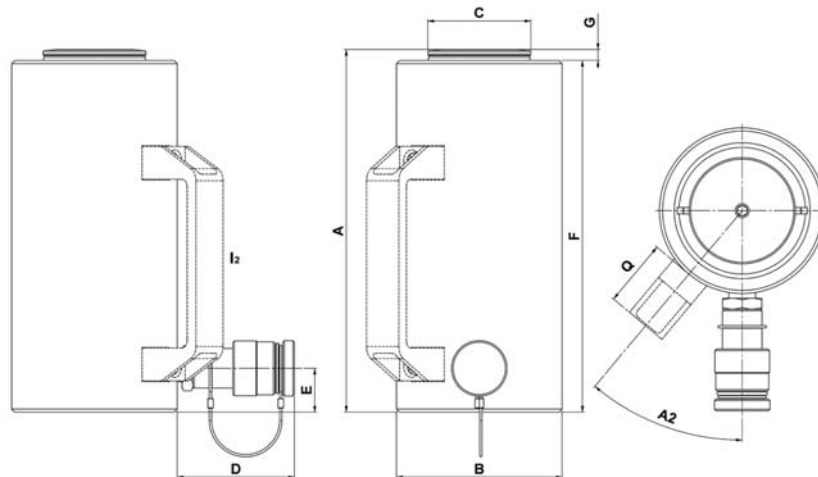


model		HAC 50 S 5	HAC 50 S 10	HAC 50 S 15	HAC 100 S 5	HAC 100 S 10	HAC 100 S 15
art no		100.112.271	100.112.270	100.112.263	100.112.273	100.112.272	100.112.264
max. working pressure	bar/Mpa	720 / 72	720 / 72	720 / 72	720 / 72	720 / 72	720 / 72
tonnage	t	50	50	50	100	100	100
stroke	mm	50	100	150	50	100	150
closed height	mm	183	233	283	225	275	325
capacity	kN/t	510.4 / 52	510.4 / 52	510.4 / 52	1030.6 / 105.1	1030.6 / 105.1	1030.6 / 105.1
effective pressure area	cm ²	70.9	70.9	70.9	143	143	143
required oil content (effective)	cc	354	709	1063	716	1431	2147
connection		A 118	A 118	A 118	A 118	A 118	A 118
cylinder type		standard	standard	standard	standard	standard	standard
acting type		single	single	single	single	single	single
return type		spring	spring	spring	spring	spring	spring
material		aluminium	aluminium	aluminium	aluminium	aluminium	aluminium
weight, ready for use	kg	6.9	8.3	9.6	17.8	20.9	24.1

Aluminium cylinders - Spring return (dimensions)



model		HAC 50 S 5	HAC 50 S 10	HAC 50 S 15	HAC 100 S 5	HAC 100 S 10	HAC 100 S 15
dimension A	mm	183	233	283	225	275	325
dimension B	mm	130	130	130	189	189	189
dimension C	mm	72	72	72	107	107	107
dimension D	mm	76	76	76	76	76	76
dimension E	mm	30	30	30	35	35	35
dimension F	mm	175	225	275	217	321	317
dimension G	mm	8	8	8	8	8	8
dimension Q	mm		44	44	44	44	44
angle A2	°		40	40	40	40	40
l type			l ₂	l ₂	l ₂	l ₂	l ₂







Features & benefits ↓

- 50% lighter cylinders; easy to work with and better for the welfare of your employees
- Duo Power Ring; seal, bearing and resistance to lateral loads to a maximum of 10% for a longer life span
- The plunger is specially coated with a hardened anodised layer that makes it extremely wear and corrosion resistant
- The XL Saddle optimally protects the plunger and guides the load as effectively as possible
- All cylinders meet the stringent quality requirements that Holmatro enforces for its products
- A range of more than 24 models with different tonnages and stroke lengths
- Almost all cylinders have a handle

Standard supplied with ↓

- High Flow female coupler A 118
- Flat saddle

Available on request ↓

- Collar thread
- Base mounting holes
- Steel plate for protection of the cylinder bottom
- Cylinders manufactured in conformity with customer specifications

Additional information ↓

Aluminium versus steel: aluminium cylinders offer an easy to handle alternative to steel. They should last a lifetime of use in average heavy duty lifting applications. However, aluminium cylinders should NOT be used in high cycle applications. Aluminium cylinders obtained from Holmatro are designed to safely withstand up to 5,000 cycles at their maximum working pressure.

Tilting saddles	page	95
Hydraulic pumps	page	143
Hydraulic hoses	page	168
Pressure gauges	page	174

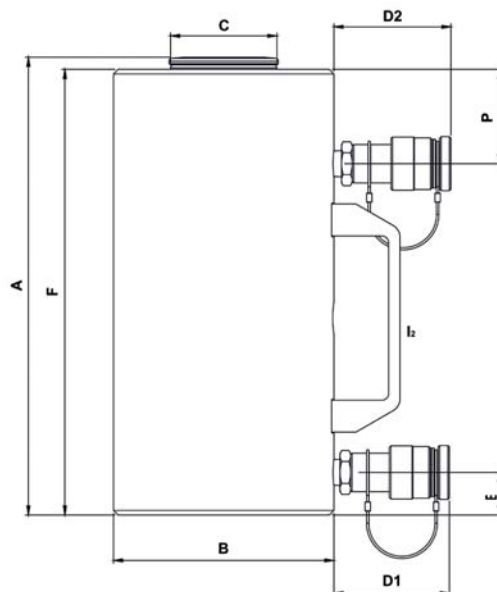


Aluminium cylinders - Hydraulic return


model		HAC 30 H 5	HAC 30 H 10	HAC 30 H 15	HAC 30 H 20	HAC 30 H 25	HAC 30 H 30
art no		100.122.086	100.122.085	100.122.080	100.122.079	100.122.103	100.122.060
max. working pressure	bar/Mpa	720 / 72	720 / 72	720 / 72	720 / 72	720 / 72	720 / 72
tonnage	t	30	30	30	30	30	30
stroke	mm	50	100	150	200	250	300
closed height	mm	197	247	297	347	397	447
capacity	kN/t	318.1 / 32.4	318.1 / 32.4	318.1 / 32.4	318.1 / 32.4	318.1 / 32.4	318.1 / 32.4
effective pressure area (press)	cm ²	44.2	44.2	44.2	44.2	44.2	44.2
effective pressure area (retract)	cm ²	11	11	11	11	11	11
required oil content (press)	cc	221	442	663	884	1105	1325
required oil content (retract)	cc	55	110	165	220	275	330
connection		A 118	A 118	A 118	A 118	A 118	A 118
cylinder type		standard	standard	standard	standard	standard	standard
acting type		double	double	double	double	double	double
return type		hydraulic	hydraulic	hydraulic	hydraulic	hydraulic	hydraulic
material		aluminium	aluminium	aluminium	aluminium	aluminium	aluminium
weight, ready for use	kg	6.9	8.5	10.2	11.6	13.2	14.7

Aluminium cylinders - Hydraulic return (dimensions)


model		HAC 30 H 5	HAC 30 H 10	HAC 30 H 15	HAC 30 H 20	HAC 30 H 25	HAC 30 H 30
dimension A	mm	197	247	297	347	397	447
dimension B	mm	125	125	125	125	125	125
dimension C	mm	65	65	65	65	65	65
dimension D1	mm	76	76	76	76	76	76
dimension D2	mm	76	76	76	76	76	76
dimension E	mm	28	28	28	28	28	28
dimension F	mm	191.1	241.5	291.5	341.5	391.5	441.5
dimension P	mm	72	72	72	72	72	72
l type				l ₂	l ₂	l ₂	l ₂

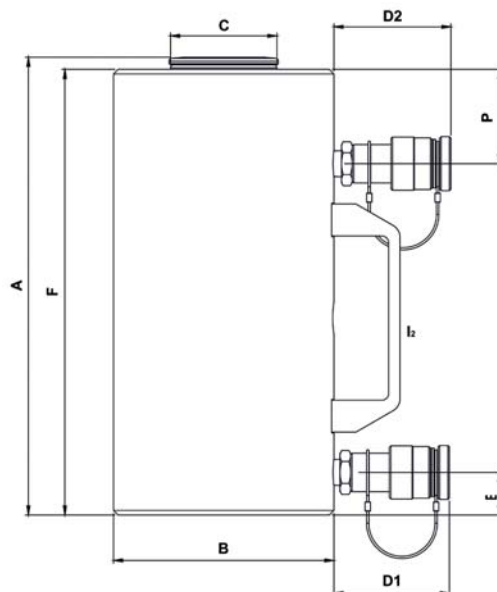


Aluminium cylinders - Hydraulic return


model		HAC 50 H 5	HAC 50 H 10	HAC 50 H 15	HAC 50 H 20	HAC 50 H 25	HAC 50 H 30
art no		100.122.095	100.122.108	100.122.097	100.122.098	100.122.099	100.122.100
max. working pressure	bar/Mpa	720 / 72	720 / 72	720 / 72	720 / 72	720 / 72	720 / 72
tonnage	t	50	50	50	50	50	50
stroke	mm	50	100	150	200	250	300
closed height	mm	201	251	301	351	401	451
capacity	kN/t	510.4 / 52	510.4 / 52	510.4 / 52	510.4 / 52	510.4 / 52	510.4 / 52
effective pressure area (press)	cm ²	70.9	70.9	70.9	70.9	70.9	70.9
effective pressure area (retract)	cm ²	32.4	32.4	32.4	32.4	32.4	32.4
required oil content (press)	cc	354	709	1063	1418	1772	2127
required oil content (retract)	cc	162	324	486	648	810	972
connection		A 118	A 118	A 118	A 118	A 118	A 118
cylinder type		standard	standard	standard	standard	standard	standard
acting type		double	double	double	double	double	double
return type		hydraulic	hydraulic	hydraulic	hydraulic	hydraulic	hydraulic
material		aluminium	aluminium	aluminium	aluminium	aluminium	aluminium
weight, ready for use	kg	9.5	11.5	13.3	15.4	17.4	19.3

Aluminium cylinders - Hydraulic return (dimensions)


model		HAC 50 H 5	HAC 50 H 10	HAC 50 H 15	HAC 50 H 20	HAC 50 H 25	HAC 50 H 30
dimension A	mm	201	251	301	351	401	451
dimension B	mm	145	145	145	145	145	145
dimension C	mm	70	70	70	70	70	70
dimension D1	mm	76	76	76	76	76	76
dimension D2	mm	76	76	76	76	76	76
dimension E	mm	28	28	28	28	28	28
dimension F	mm	193	243	293	343	393	443
dimension P	mm	72	72	72	72	72	72
l type			l ₂	l ₂	l ₂	l ₂	l ₂

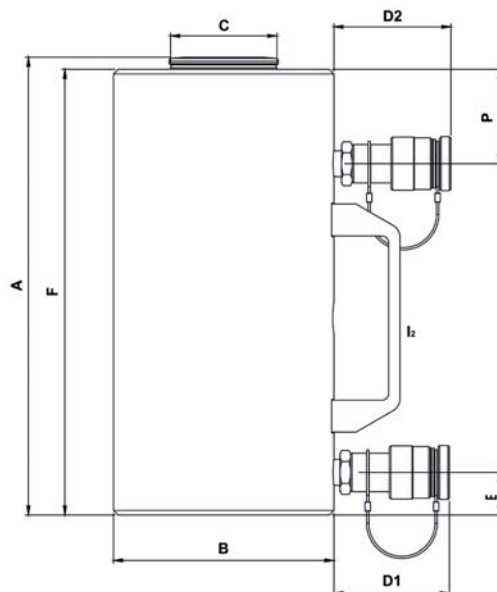


Aluminium cylinders - Hydraulic return


model		HAC 100 H 5	HAC 100 H 10	HAC 100 H 15	HAC 100 H 20	HAC 100 H 25	HAC 100 H 30
art no		100.122.094	100.122.109	100.122.107	100.122.088	100.122.089	100.122.090
max. working pressure	bar/Mpa	720 / 72	720 / 72	720 / 72	720 / 72	720 / 72	720 / 72
tonnage	t	100	100	100	100	100	100
stroke	mm	50	100	150	200	250	300
closed height	mm	246	296	346	396	446	496
capacity	kN/t	1030.6 / 105.1	1030.6 / 105.1	1030.6 / 105.1	1030.6 / 105.1	1030.6 / 105.1	1030.6 / 105.1
effective pressure area (press)	cm ²	143.1	143.1	143.1	143.1	143.1	143.1
effective pressure area (retract)	cm ²	56.5	56.5	56.5	56.5	56.5	56.5
required oil content (press)	cc	716	1431	2147	2863	3579	4294
required oil content (retract)	cc	283	565	848	1131	1414	1696
connection		A 118	A 118	A 118	A 118	A 118	A 118
cylinder type		standard	standard	standard	standard	standard	standard
acting type		double	double	double	double	double	double
return type		hydraulic	hydraulic	hydraulic	hydraulic	hydraulic	hydraulic
material		aluminium	aluminium	aluminium	aluminium	aluminium	aluminium
weight, ready for use	kg	19.7	23.0	26.8	29.9	33.2	36.6

Aluminium cylinders - Hydraulic return (dimensions)


model		HAC 100 H 5	HAC 100 H 10	HAC 100 H 15	HAC 100 H 20	HAC 100 H 25	HAC 100 H 30
dimension A	mm	246	296	346	396	446	496
dimension B	mm	195	195	195	195	195	195
dimension C	mm	105	105	105	105	105	105
dimension D1	mm	76	76	76	76	76	76
dimension D2	mm	76	76	76	76	76	76
dimension E	mm	35	35	35	35	35	35
dimension F	mm	235	285	335	385	435	485
dimension P	mm	72	72	72	72	72	72
l type		l ₂	l ₂	l ₂	l ₂	l ₂	l ₂



Aluminium cylinders - Hydraulic return


model		HAC 150 H 5	HAC 150 H 10	HAC 150 H 15	HAC 150 H 20	HAC 150 H 25	HAC 150 H 30
art no		100.122.075	100.122.074	100.122.073	100.122.070	100.122.069	100.122.064
max. working pressure	bar/Mpa	720 / 72	720 / 72	720 / 72	720 / 72	720 / 72	720 / 72
tonnage	t	150	150	150	150	150	150
stroke	mm	50	100	150	200	250	300
closed height	mm	248	298	348	398	448	498
capacity	kN/t	1539.5 / 157	1539.5 / 157	1539.5 / 157	1539.5 / 157	1539.5 / 157	1539.5 / 157
effective pressure area (press)	cm ²	213.8	213.8	213.8	213.8	213.8	213.8
effective pressure area (retract)	cm ²	91.1	91.1	91.1	91.1	91.1	91.1
required oil content (press)	cc	1069	2138	3207	4277	5346	6415
required oil content (retract)	cc	456	911	1367	1822	2278	2733
connection		A 118	A 118	A 118	A 118	A 118	A 118
cylinder type		standard	standard	standard	standard	standard	standard
acting type		double	double	double	double	double	double
return type		hydraulic	hydraulic	hydraulic	hydraulic	hydraulic	hydraulic
material		aluminium	aluminium	aluminium	aluminium	aluminium	aluminium
weight, ready for use	kg	27.7	32.3	38.0	41.5	46.1	50.6

Aluminium cylinders - Hydraulic return (dimensions)


model		HAC 150 H 5	HAC 150 H 10	HAC 150 H 15	HAC 150 H 20	HAC 150 H 25	HAC 150 H 30
dimension A	mm	248	298	348	398	448	498
dimension B	mm	235	235	235	235	235	235
dimension C	mm	125	125	125	125	125	125
dimension D1	mm	76	76	76	76	76	76
dimension D2	mm	76	76	76	76	76	76
dimension E	mm	35	35	35	35	35	35
dimension F	mm	240	290	340	390	440	490
dimension P	mm	72	72	72	72	72	72
l type		l ₂	l ₂	l ₂	l ₂	l ₂	l ₂

