



**Features & benefits** ↓

- Ergonomic design
  - Light weight; easy to carry and operate
  - Low operating force required; minimal user effort
  - Soft-grip handles; more comfort and grip
  - Anti-slip rubber underneath; pump is stable and does not shift
  - Pump handle lock; easy and safe to carry
- Service- and maintenance-friendly; technical parts are easy to access and replace without removing the tank
- High oil output; quicker action both in the first and second stage
- Accurately adjustable pressure release valve; loads can be lowered safely and with extreme control
- Pressure gauge connection on the pump block; the pressure gauge can be directly mounted on the pump at an angle of 45 degrees, making it easily readable
- Oil level glass in the tank; easily check the oil level in both horizontal and vertical position
- Integrated filler funnel; top up oil easily and quickly without extra accessories
- Push & Unlock pump handle lock; unlocking is quick and easy with one brief push on the pump handle

Control valves	page	163
Accessories	page	164
Hydraulic hoses	page	168
Pressure gauge sets	page	176
Valve blocks 'FlowPanel'	page	177



Accurately adjustable pressure release valve; loads can be lowered safely and with extreme control



Pressure gauge connection on the pump block; the pressure gauge can be directly mounted on the pump at an angle of 45 degrees, making it easily readable

**Hand pumps**

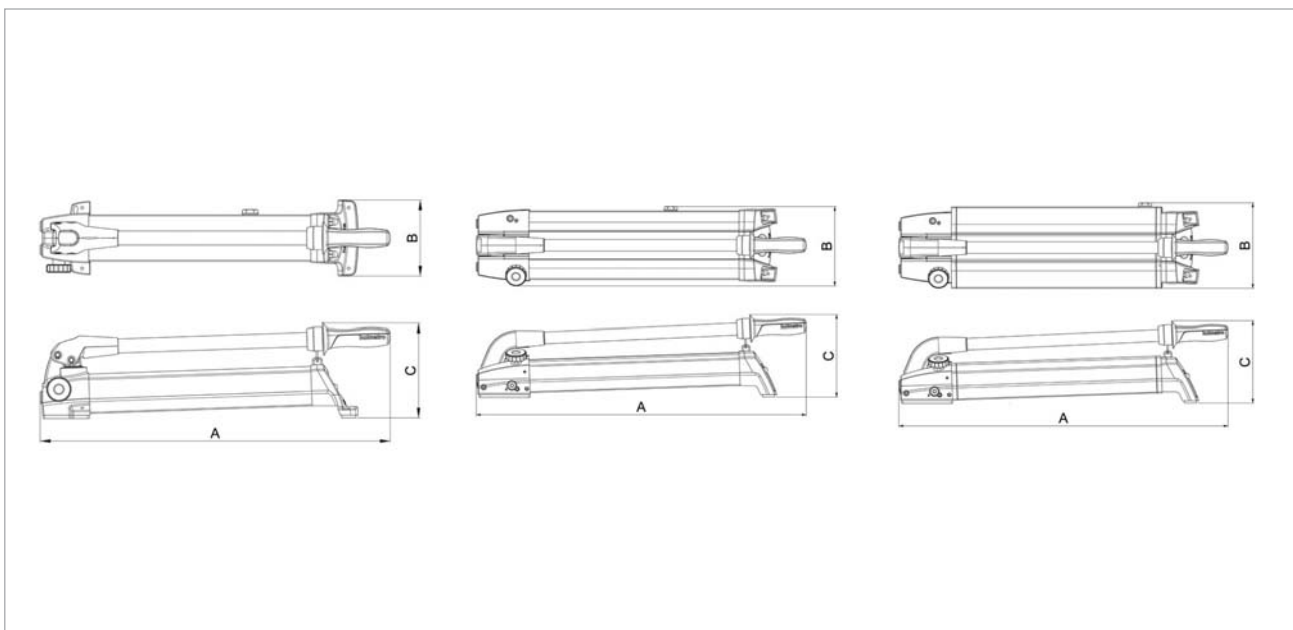


model		PA 04 H 2	PA 09 H 2	PA 18 H 2	PA 38 H 2	PA 58 H 2
art no		100.142.033	100.142.034	100.142.035	100.142.037	100.142.038
max. working pressure	bar/Mpa	720 / 72	720 / 72	720 / 72	720 / 72	720 / 72
capacity oil tank (effective)	cc	400	900	1800	3800	5800
capacity oil tank	cc	500	1000	1990	4150	6150
first stage output (per stroke)	cc	18.4	22	42.8	42.8	50.5
second stage output (per stroke)	cc	1.4	2.1	3.1	3.1	4
first stage pressure range	bar/Mpa	0-45 / 0-4.5	0-45 / 0-4.5	0-45 / 0-4.5	0-45 / 0-4.5	0-45 / 0-4.5
second stage pressure range	bar/Mpa	45-720 / 4.5-72	45-720 / 4.5-72	45-720 / 4.5-72	45-720 / 4.5-72	45-720 / 4.5-72
max. operating force	kg	32.0	33.0	35.0	35.0	34.0
connection		3/8" NPT female	3/8" NPT female	3/8" NPT female	3/8" NPT female	3/8" NPT female
operator type		hand	hand	hand	hand	hand
double acting optional		no	no	yes	yes	yes
weight, ready for use	kg	3.4	4.7	7.6	11.4	14.6

**Hand pumps (dimensions)**



model		PA 04 H 2	PA 09 H 2	PA 18 H 2	PA 38 H 2	PA 58 H 2
dimension A	mm	434	619	700	700	897
dimension B	mm	135	135	169	183	182
dimension C	mm	165	170	175	175	185





PA 18 F 2

**Features & benefits** ↓

- Ergonomic design
  - Light weight; easy to carry and operate
  - Low operating force required; minimal user effort
  - Anti-slip rubber underneath; pump is stable and does not shift
  - Pump handle lock; easy and safe to carry
- Service- and maintenance-friendly; technical parts are easy to access and replace without removing the tank
- High oil output; quicker action both in the first and second stage
- Accurately adjustable pressure release valve; loads can be lowered safely and with extreme control
- Pressure gauge connection on the pump block; the pressure gauge can be directly mounted on the pump at an angle of 45 degrees, making it easily readable
- Oil level glass in the tank; easily check the oil level in both horizontal and vertical position
- Integrated filler funnel; top up oil easily and quickly without extra accessories
- Push & Unlock pump handle lock; unlocking is quick and easy with one brief push on the pump handle

Control valves	page	163
Accessories	page	164
Hydraulic hoses	page	168
Pressure gauge sets	page	176
Valve blocks 'FlowPanel'	page	177



Accurately adjustable pressure release valve; loads can be lowered safely and with extreme control



Pressure gauge connection on the pump block; the pressure gauge can be directly mounted on the pump at an angle of 45 degrees, making it easily readable

**Foot pump**



<b>model</b>		<b>PA 18 F 2</b>
art no		100.142.036
max. working pressure	bar/Mpa	720 / 72
capacity oil tank (effective)	cc	1800
capacity oil tank	cc	1990
first stage output (per stroke)	cc	42.8
second stage output (per stroke)	cc	3.1
first stage pressure range	bar/Mpa	0-45 / 0-4.5
second stage pressure range	bar/Mpa	45-720 / 4.5-72
max. operating force	kg	37.0
connection		3/8" NPT female
operator type		foot
double acting optional		yes
weight, ready for use	kg	8.3

**Foot pump (dimensions)**



<b>model</b>		<b>PA 18 F 2</b>
dimension A	mm	724
dimension B	mm	169
dimension C	mm	167

