

DESCRIPTION

Range of electronic traction dynamometers with digital display designed for use between shackles or clevis hooks. Dynamometers of this range operate in all positions for the measurement of forces and suspended masses.

OPERATING PRINCIPLE:

Force measurement using strain gauges.

The strain gauges are directly subject to the tension on the device.

The generated signal is then conditioned by the associated electronics and displayed on the LCD screen built into the device.

TECHNICAL SPECIFICATIONS :

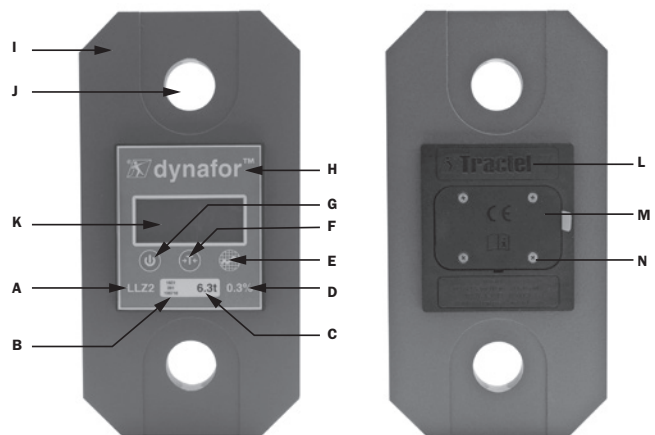
- Capacity of 1 to 20 tons
- Precision : 0.3% of the measuring range.
- Safety factor: 4
- Power supply: 2 × 1.5V "AAA" batteries
- Packaging: delivered in plastic suitcase
- IP 65 protection
- See details on page 2

ACCESSORIES :

- Shackles
- Clevis hooks

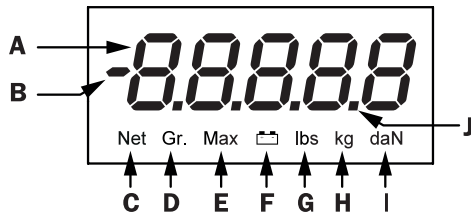
DESCRIPTION AND MARKING:

A	Model
B	Serial No.:
C	Capacity
D	Precision
E	T3 Peak Load Button
F	T2 Tare Button
G	T1 On/Off button
H	Product Brand
I	Sensor body
J	Shackle axis or clevis bore
K	LCD screen
L	Manufacturer's name
M	Battery compartment cover
N	M lid fixing screws



*:Working Load Limit

TECHNICAL CHARACTERISTICS AND DIMENSIONS:



- A** Strain value

- B** Measurement sign

- C** NET indicator (Net Value of the measurement)

- D** GROSS indicator (Gross Value of measurement)

- E** Peak Load Indicator

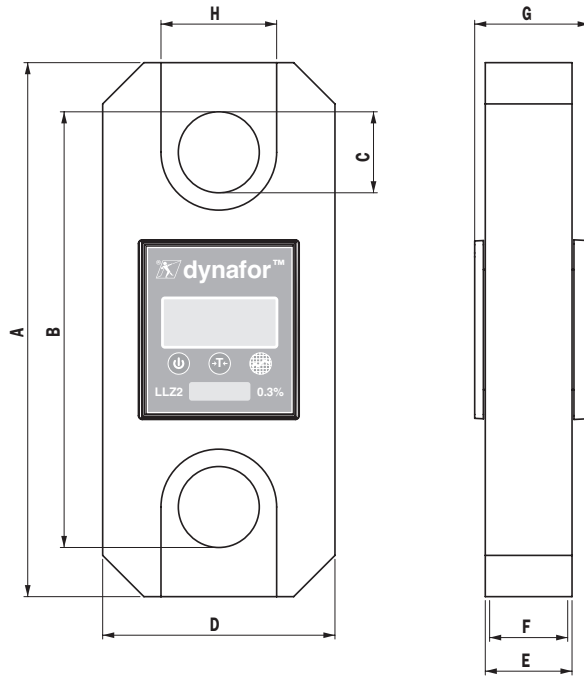
- F** Battery indicator

- G** Lbs unit indicator

- H** Kg unit indicator

- I** daN unit indicator

- J** Decimal point



MODEL		LLZ2 1 t	LLZ2 3.2 t	LLZ2 6.3 t	LLZ2 12.5 t	LLZ2 20 t
Maximum capacity	t	1	3.2	6.3	12.5	20
Test load	t	1.5	4.8	9.6	18.75	30
Safety factor		4				
Precision	%	0.3% FS**				
	± kg	3	9.6	18.9	37.5	60
Increment	kg	1	2	5	10	20
Maximum Display	kg	110% of the W.L.L.*				
Conversion Factor		1 kg = 0.98083 daN = 2.20462 Lbs				
Dynamic effects filter by sliding average calculation in 2 seconds						
Digit height	mm	17.8				
Autonomy		350 hours				
Weight	kg	0.75	0.93	1.44	3.22	4.95
IP protection		IP 65				
Working T°		- 20 °C to + 50 °C				
Sensor Material		Aluminium				
	A	191	191	236	277	342
	B	164	164	184	226	264
	C	22	22	28	42	54
Measurements in mm	D	83.5	99.5	121.5	120.5	147
	E	22	22	22	45	45
	F	19.8	19.8	19.8	40.5	40.5
	G	36.4	36.4	36.4	59.4	59.4
	H	37.6	44.8	54.7	60	73.5

*: Working Load Limit
 **: Full Scale