

Kroge der passer på Twist4Lift :  
BK/BKG 10-10  
OBK/GBK 10-10 og 13-10  
YL CSK 10-10 og 13-10  
Bolt  $\varnothing$ 40 mm - bredde 35 mm.

**Read and understand this manual, before applying the Twist4lift®!**



## Manual

The Twist4lift® container hook is a compact and universal container hook, that is easy and straightforward to install and lock in every corner of the container. It can be installed in both the upper and lower corner casting and cannot fall out when installed / locked. This makes the Twist4lift container hook a smart and safer alternative for conventional container hooks.

This manual describes how to apply the Twist4lift container hook in a safe and only correct manner. In accordance to Machinery Directive 2006/42/EC this manual will be provided to every user. Next to that it is assumed that the user is aware of the most important safety requirements from the Machinery Directive and Occupational Health and Safety Legislation and is qualified to apply professional hoisting equipment.

Always wear the right PPE (Personal Protective Equipment) before starting the activities. These are minimally a safety helmet, safety shoes and gloves.

For more information about the Twist4lift container hook and contact details, see also [www.Twist4lift.com](http://www.Twist4lift.com).

### General data

The following general, technical data applies:

- Max. workload (WLL): 10.000 kg per Twist4lift.
- Weight: approximately 3,5 kg per Twist4lift.
- Every Twist4lift is provided with a Serial number and CE mark.
- The fabrication date and supplied are mentioned on the certificate that is provided with every Twist4lift.
- Every set of 4 container hooks is provided with a storage rack.
- The Twist4lift consist of the following main components, see Figure 1:
  1. Hook
  2. Conductor
  3. Top plate
  4. Countersunk Allen bolt
  5. Adjustment bolt with spring and ball (for locking in installed configuration)

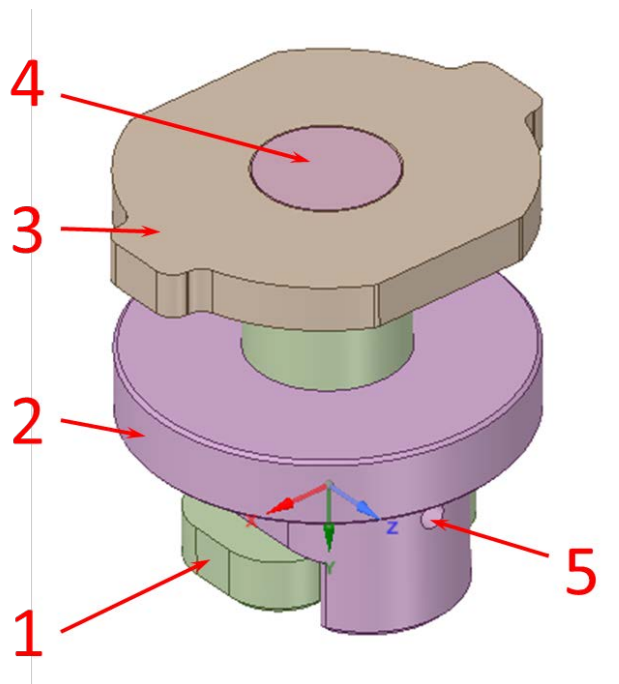


Figure 1. Main components Twist4lift (drawing in locked configuration).

## Prescriptions and maintenance

The following general maintenance instructions are valid for a correct and safe application of the Twist4lift:

- Always take into account the correct maximal workload at different hoisting angles.
- Check upon receipt of the container hooks whether all the ordered parts are present and the provided certificate is correct.
- Never use a Twist4lift, from which a serial number, identification and / or certificate is missing.
- Avoid at all times overloading, shock loading or loading with sharp objects.
- Do not use the Twist4lift at temperatures below -30°C and above 50°C without consultation at the supplier.
- The Twist4lift is only suitable for hoisting a container with corner castings according to ISO 1161.
- The Twist4lift should never get in contact with chemicals.
- Only use correct fitting and certified hooks, see also Figure 3.
- Do not use straps / sling or other hoisting equipment that is not resistant to sharp edges.
- Always use a well-fitting lifting beam or 4 leg slings when hoisting a container with the Twist4lift hooks, see also Figure 2.
- The container hooks should be removed and stored in the designated storage rack, prior to transport of the container on the truck or trailer (i.e. in all circumstances the Twist4lift is not used for hoisting).
- The storage rack should be mounted on a dry and clean place.
- Lubricate the moving parts of the Twist4lift weekly and avoid the presence of sand or other wear causing substances between the moving parts.
- Inspect the Twist4lift on wear and damage on a monthly basis. Never use a worn and / or damaged Twist4lift.
- Never disassemble the Twist4lift yourself. This may only be carried out by the supplier and / or manufacturer.
- In case of doubt regarding the correct and safe operation of the Twist4lift, don't use it and contact the supplier!



- The Twist4lift hoisting equipment should at least once a year be inspected, and tested if required, by a designated expert, legal person or institution. This person or institution should have the right specifications from the manufacturer.



Figure 2. Hoisting of a container with a lifting beam and the Twist4lift container hooks in the corner casings.

## Instructions

The following steps should be followed carefully for a safe and correct application of the twist4lift container hooks:

- Step 1. Check the Twist4lift container hooks and corner castings on their condition and possible damages and wear, before starting the actual activities.
- Step 2. Install a Twist4lift at all 4 corner castings (either upper or lower) of the container.
- Step 3. Rotate the top plate 90, resulting in the correct orientation of the twist4lift for the next step.



Step 4. Pull the Twist4lift towards you, until it reached the locking mechanism.

Step 5. Check whether the Twist4lift is indeed correct and firmly installed / mounted in the corner casting.

Step 6. Install the hook of the lifting sling / chain in the Twist4lift before starting the hoisting activity.

Step 2, 3, 4 and 6 are graphically displayed in the figures below.

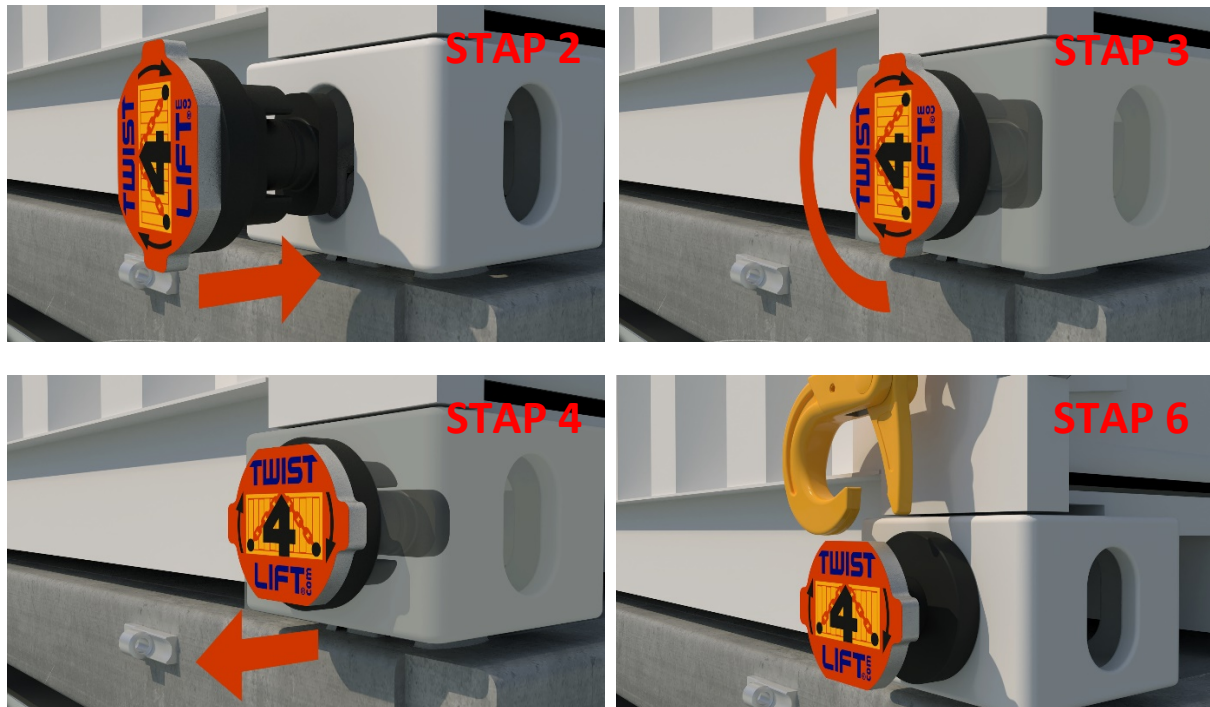


Figure 3. Twist4lift installation steps.

View the step-by-step interactive installation instruction on the Twist4lift website:



*Address- & contact details supplier*